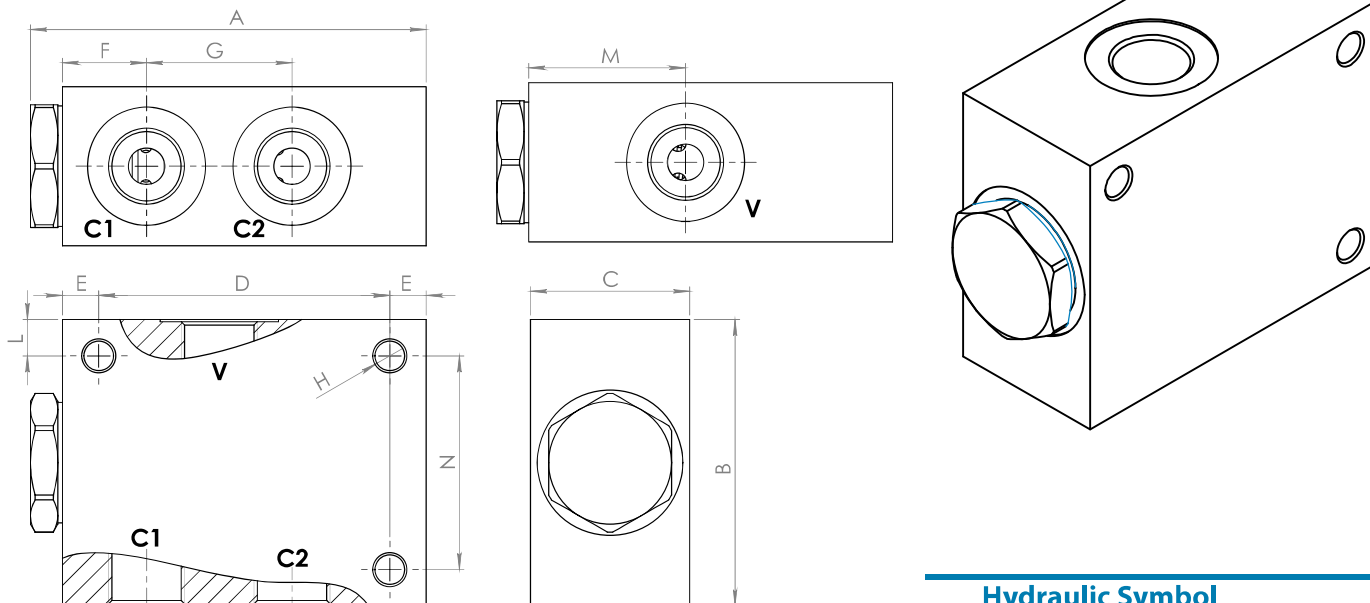
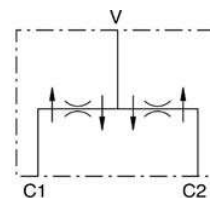


### Dimensions

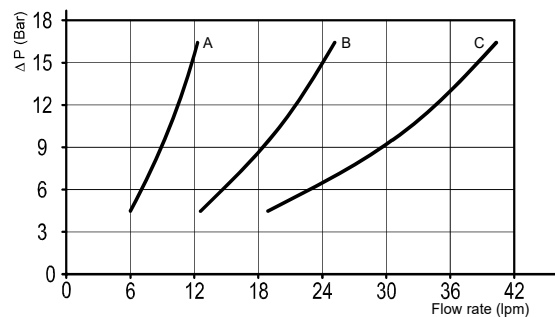


Size	C1 - C2 BSP	V BSP	A	B	C	D	E	F	G	H	L	M	N	Weight kg
02	3/8	3/8	87	63	35	64	8	18,5	32	6,5	8	34,5	47	0,52
25	3/8	1/2	87	63	35	64	8	18,5	32	6,5	8	34,5	47	0,51

### Hydraulic Symbol



### Curves



### Features

Max Flow Rate (lpm)	38
Max Pressure (bar)	260
Slippage (top portion flow curve)	± 3%
Flow Division Ratio	50% - 50%

**Materials:** Aluminium manifold, hardened steel inner parts.

### Ordering Code

**FDC**    --    -

	Port Size BSP	
<b>02</b>	3/8	3/8
<b>25</b>	1/2	3/8

	Inlet Capacity (lpm)
<b>A</b>	6,5 - 12
<b>B</b>	13 - 23
<b>C</b>	24 - 38

**Ordering Code Example:** FDC25B - 1/2 - 3/8 BSP Ported Manifold, 13/23 lpm Inlet Range Capacity.