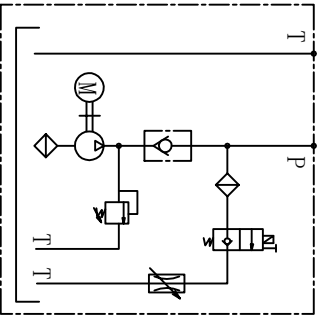
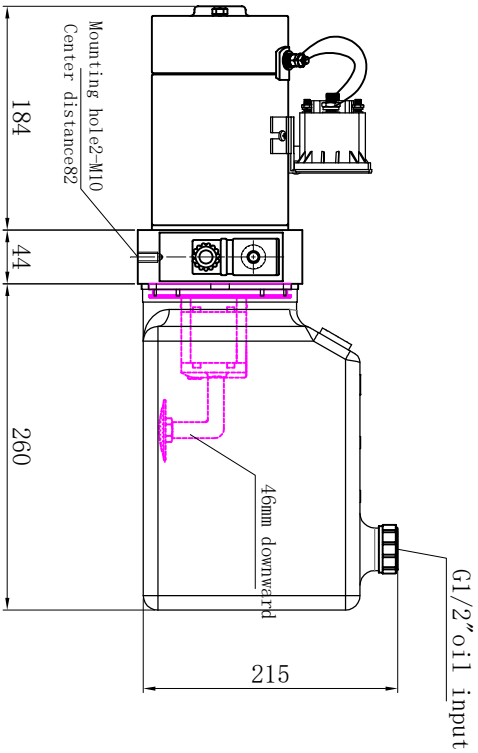
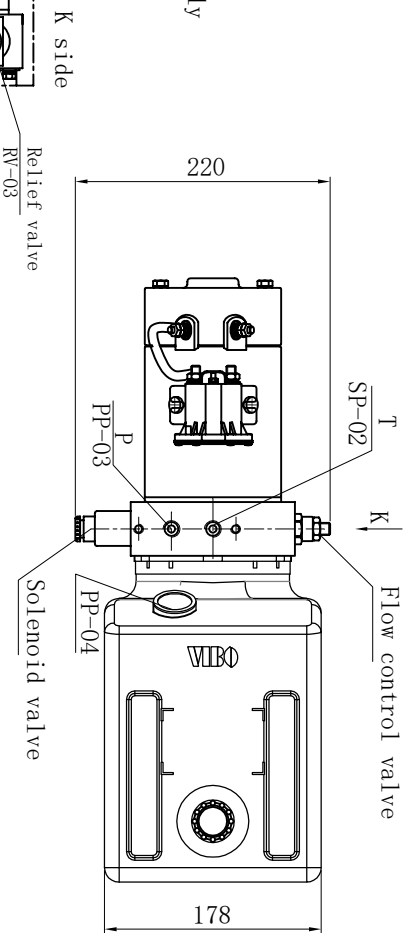
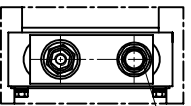


5203-25

12V/2.0KW



Technical Date
 Code: MD12200MY-05A-P
 Manifold: 30100510002 <CC002>
 Motor: <MD12200MY>12V 2.0kw 2585rpm
 Pump: <CBKL-G2250>2.5cc/r
 Control valve: <SCV(E)-Y012DC>Solenoid valve normally closed with emergency <CV-02A>Check valve
 <RV-03>Relief valve <FCV-01>Flow control valve
 Tank: 50206011801
 6L (plastic) <6L-TP120A260-H>
 Pressure: 16Mpa
 Mounting: Horizontal
 Oil port: P=3/8" T=1/4"
 Install oil return pipe on relief valve and flow control valve T port



设计	校对	审核	批准	日期
				2018-07-25

标记处数	更改文件号	签字	日期	Hualan YIBO Hydraulics Co., Ltd		
				图样标记	数量	重量
						比例
						1:3.5

YIBO Hydraulics	
Outline Drawing	
MD12200MY-05A-P	