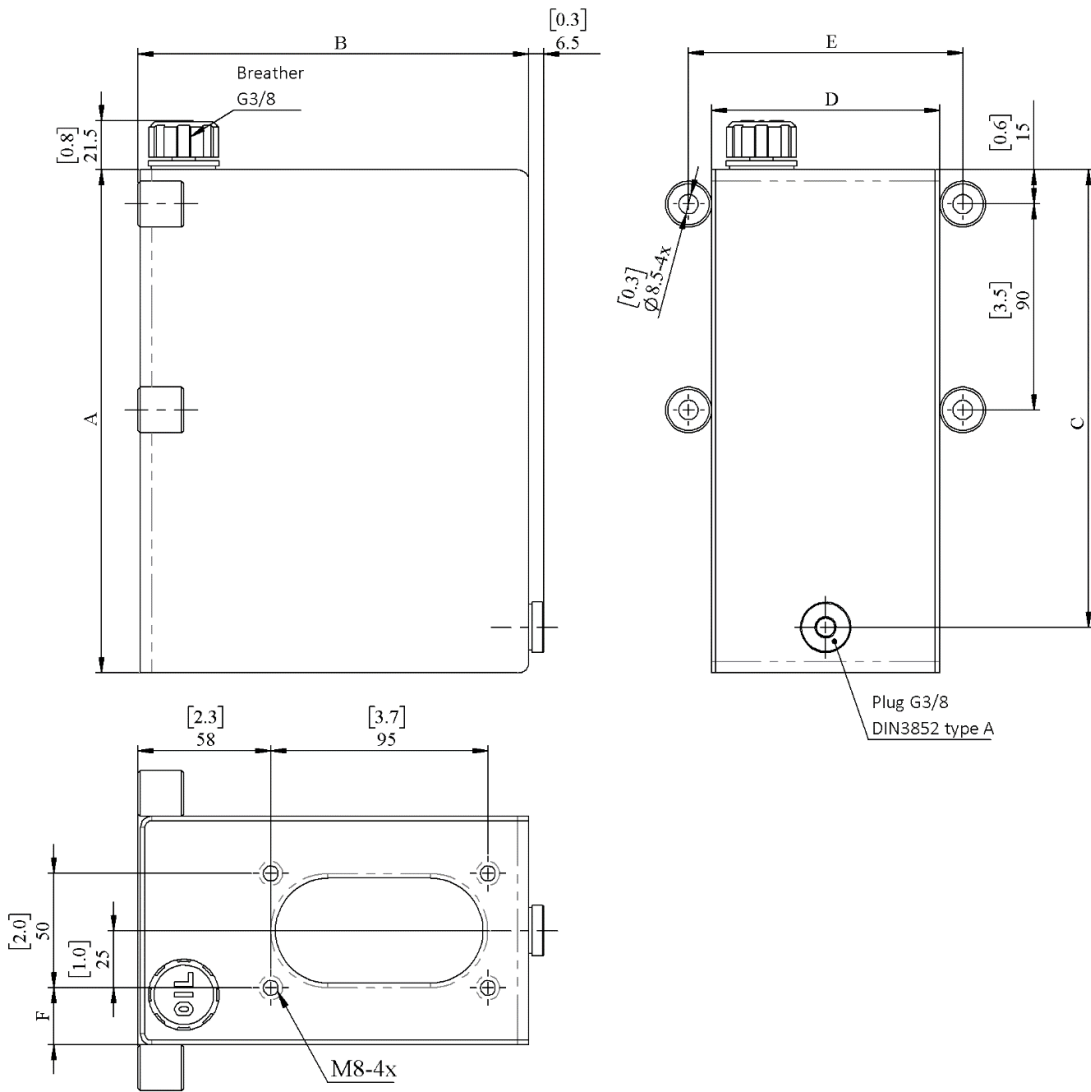


Dimensional data:

Each tank is painted in RAL9005 and includes the corresponding suction tube and filter



Type	A		B		C		D		E		F		mass	
	mm	in*	mm	in*	mm	in*	mm	in*	mm	in*	mm	in*	kg	lbs*
RP1	120	4.7	171	6.7	100	3.9	100	3.9	120	4.7	25	1.0	1.7	3.7
RP2	170	4.7	171	6.7	150	3.9	100	3.9	120	4.7	25	1.0	2.2	4.9
RP3	220	8.7	171	6.7	200	8	100	4	120	5	25	1	2.6	5.7
RP5	200	7.9	176	6.9	180	7	175	7	195	8	62.5	2	3.3	7.3
RP7	290	11.4	176	6.9	270	11	175	7	195	8	62.5	2	4.3	9.5
RP10	380	15.0	176	6.9	360	14	175	7	195	8	62.5	2	5.3	11.7