

Via
Tel
htt
Av



ELECTRIC MOTOR COMPLETE COUPLING ARRANGEMENT

GEAR PUMP DATA

Coupling Code

Arrangement Code

4

11-15

15-20

160

Bellhousing Code

P

kW

Hp

Size

3

50,8

43

128

98,5

M10

FS3M0

22,2

FS3M0

4

110

42

12

350

Dimension

L

d

Ch

Fig

Group

Cent.

A

B

C

Hole

CF

d

Ch

FSP

Half Coupling Ordering Code

AKG12FS3MOM

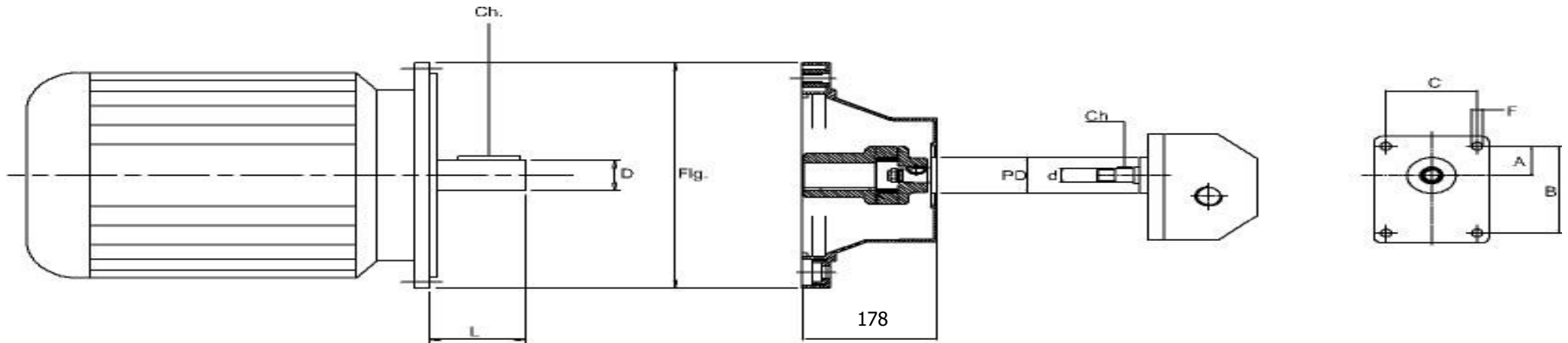
AKA12FS3MOM4E

LMC351MFS3MO4E

SGEA51M07109



Attention: Check overall dimensions of the pump. MP Filtri S.p.A. is not responsible for any change the pump manufacturer apply to the pump design.



EGE 5 GS
SGEA51FS300