



PRODUZIONE COMPONENTI OLEODINAMICI

IDROVER di Mischi Armando
 Viale Del Lavoro, 46
 37030 COLOGNOLA AI COLLI (VR)
 Tel. +39 045 7652677 - Fax +39 045 6150811
 E-mail info@idrover.com htp://www.idrover.com

Monoblock parallel connection
 2 to 10 elements size 6 (CETOP 3)
 P-T on the heads Gas 1/2"
 A-B on side Gas 3/8"

With pressure relief valve maximum flow rate Q= 30 L/min.

Ordering example

DR 104. * *

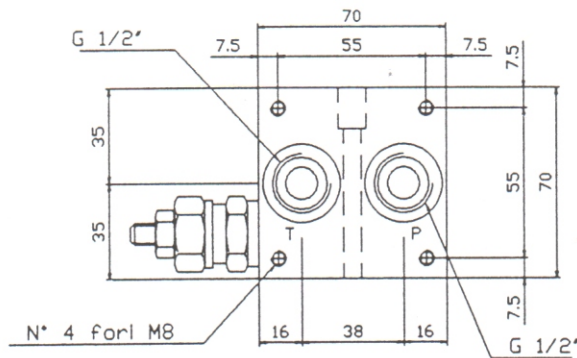
Model

N° elem.

Spring ranges

- 0 = closed
- 1 = 5 - 50 bar
- 2 = 30 - 100 bar
- 3 = 50 - 210 bar
- 4 = 100 - 320 bar

N° Elem.	H	K	Kg
2	140	120	4.2
3	190	170	5.7
4	240	220	7.2
5	290	270	8.7
6	340	320	10.2
7	390	370	11.7
8	440	420	13.2
9	490	470	14.7
10	540	520	16.2



Type scheme

