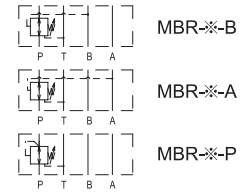




Modular Reducing Valve

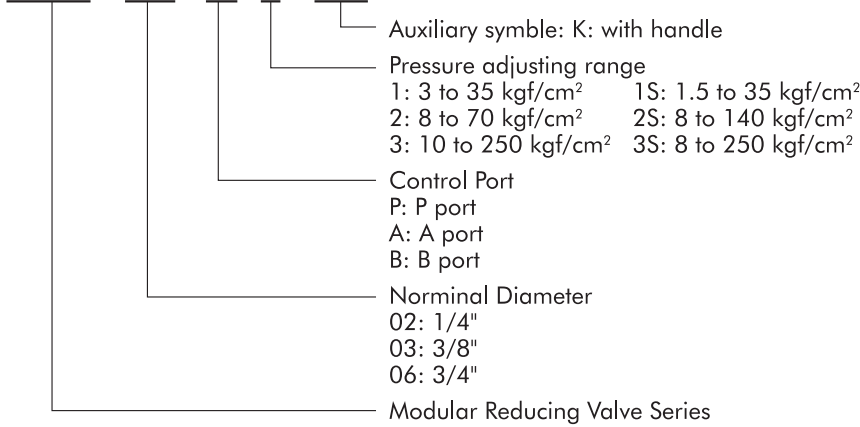
Features:

1. Modular reducing valves makes the pressure in part of the circuit lower than that of main circuit.
2. Even when pressure changes in the primary main circuit, then secondary reduced pressure is maintained at the constant level.
3. Maximum working pressure 250 kgf/cm².



HOW TO ORDER

MBR - 02 - P - 1 - (K)



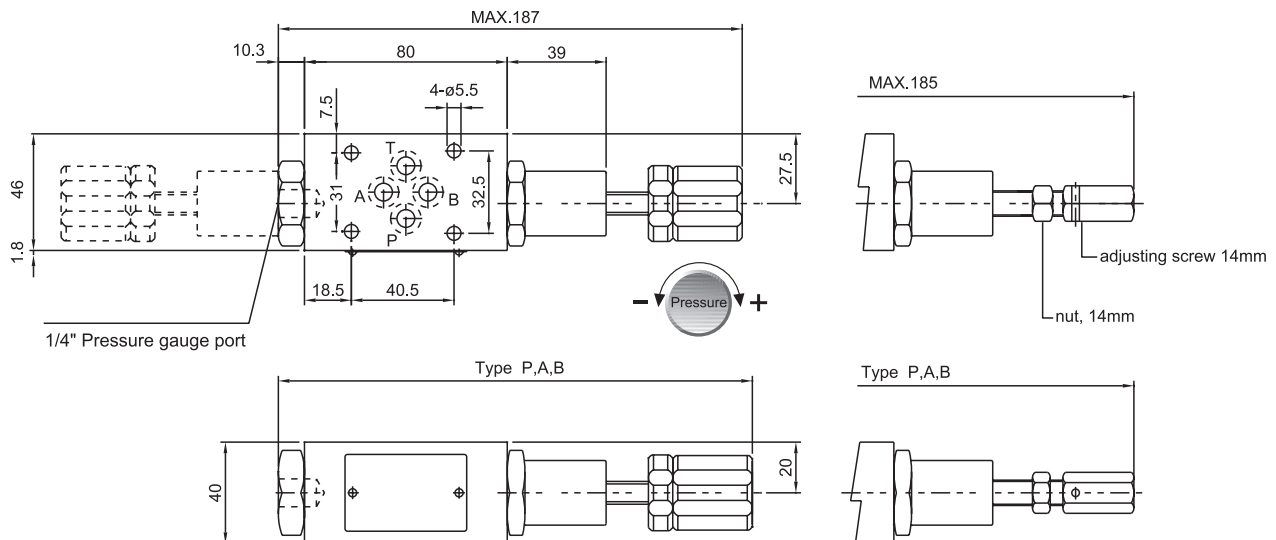
SPECIFICATIONS

Model No.	Maximum Working pressure kgf/cm ²	Pressure adj. Range kgf/cm ²	Maximum flow l/min	Weight kgs	Gasket surface Dimensions
MBR-02-P -A -B	250	1: 3-35 1S: 1.5-35 2: 8-70 2S: 8-140 3: 10-250 3S: 8-250	50	1.4	ISO 4401-03-02-0-94
MBR-03-P -A -B	250	1: 3-35 1S: 1.5-35 2: 8-70 2S: 8-140 3: 10-250 3S: 8-250	100	3.7	ISO 4401-05-04-0-94
MBR-06-P -A -B	250	1: 3-35 2: 8-70 3: 10-250	180	12.3	ISO 4401-08-07-0-94

INSTALLATION DIMENSIONS:

UNIT: mm

MBR-02-P. A. B



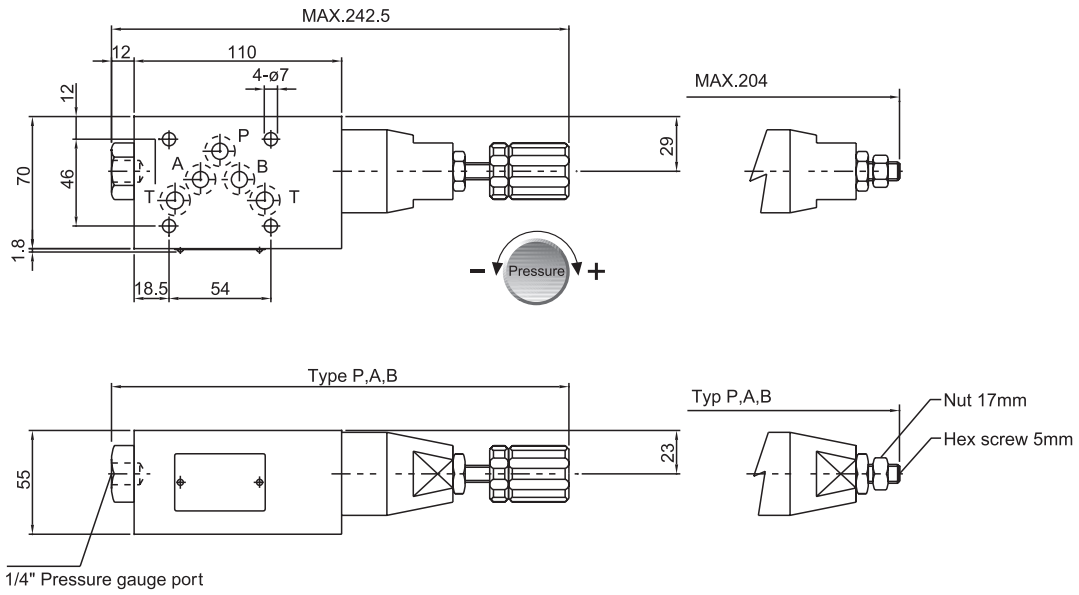


Modular Reducing Valve

■ INSTALLATION DIMENSIONS:

UNIT: mm

MBR-03-P. A. B.



MBR-06-P. A. B.

