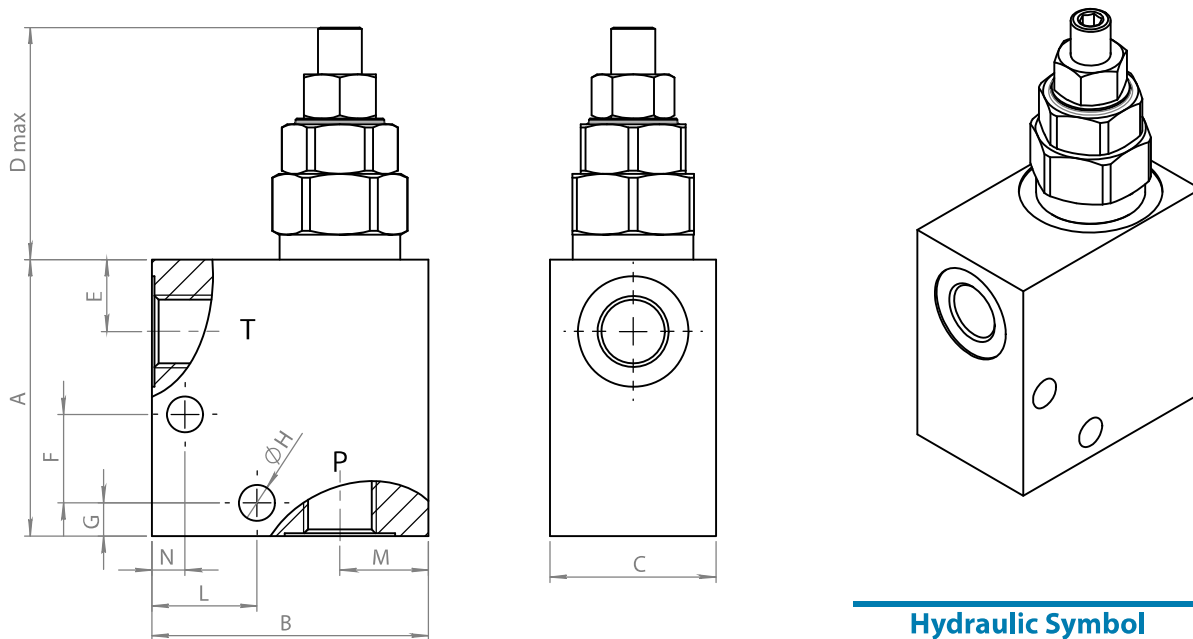
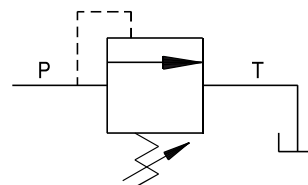


Dimensions

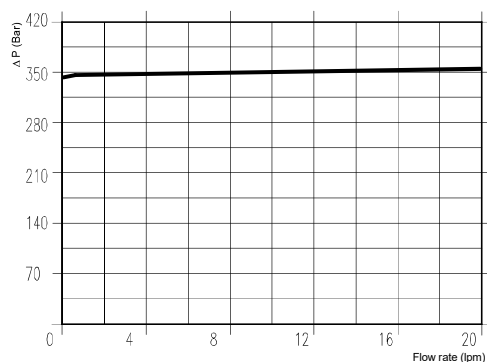


Size	A	B	C	D	E	F	G	H	L	M	N	P-T BSP	Weight kg
01	50	50	30	40	13	16	6	6,5	19	16	6	1/4	0,53
02	50	50	30	40	13	16	6	6,5	19	16	6	3/8	0,51

Hydraulic Symbol



Curves



Features

Rated Flow	20 lpm
Max Pressure	350 bar

Materials: Zinc plated steel cartridge, hardened steel inner parts.
Aluminium manifold.

Ordering Code

PRL 20 -- -- -

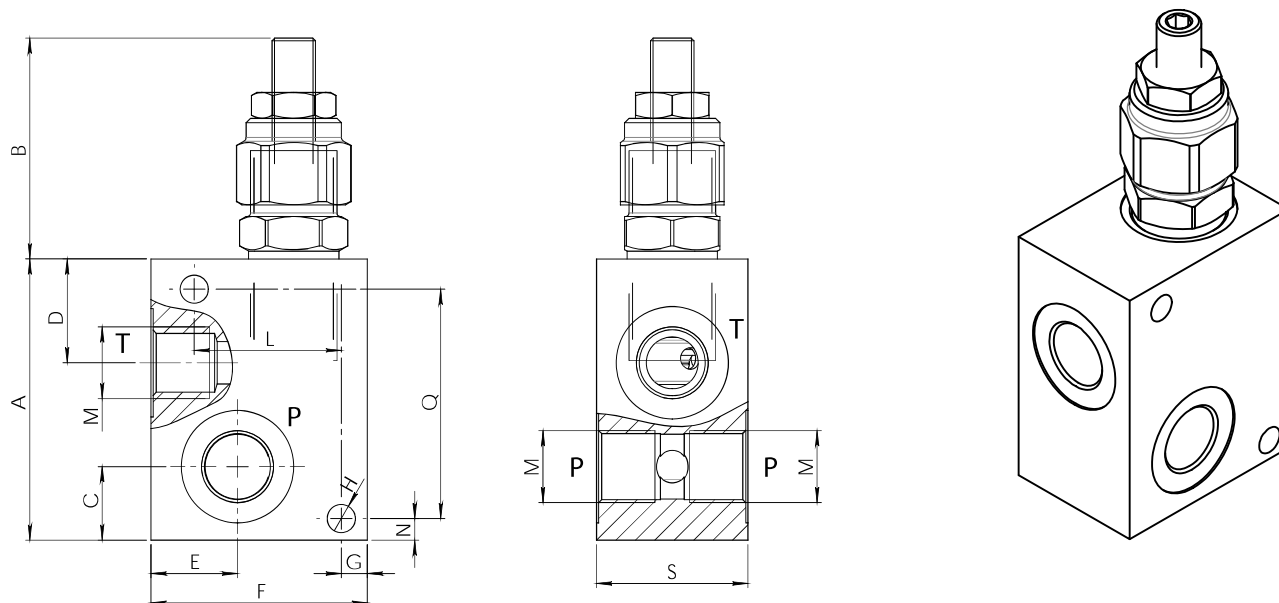
Port Size BSP		Spring (bar)	
01	1/4	10	5-100
02	3/8	30	50-350

Adjustments

A		Socket Screw
---	--	--------------

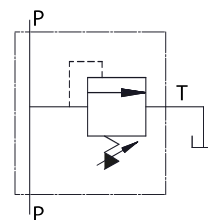
Ordering Code Example: PRL200230A - 3/8 BSP - 50-350 bar setting range, Socket screw adjustment.

Dimensions

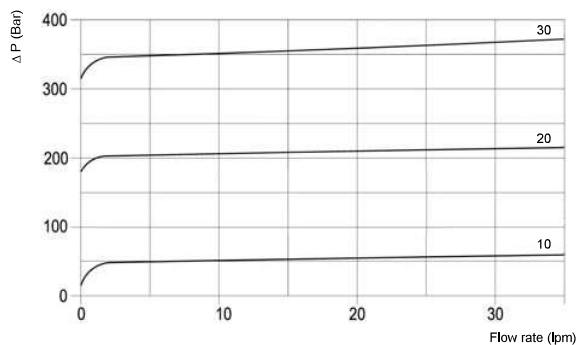


Size	A	B	C	D	E	F	G	H	L	M BSP	N	Q	S	Weight kg
02	65	51	17	24	20	50	6	6,5	34	3/8	6	53	35	0,40
03	65	51	17	24	20	50	6	6,5	34	1/2	6	53	35	0,38

Hydraulic Symbol



Curves



Features

Rated Flow	35 lpm
Max Pressure	350 bar

Materials: Zinc plated steel cartridge, hardened steel inner parts.
Aluminium manifold.

Ordering Code

PRL 35

--

--

-

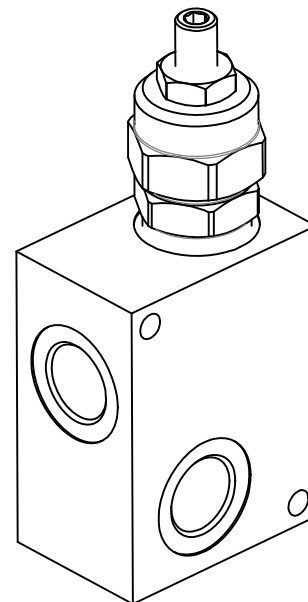
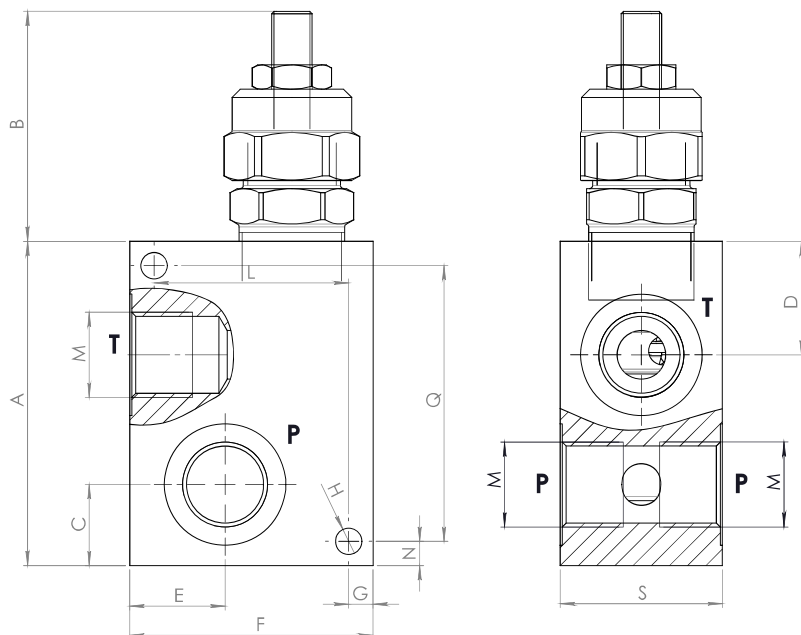
Port Size BSP		Spring (bar)	
02	3/8	10	5-50
03	1/2	20	40-210
		30	100-350

Adjustments

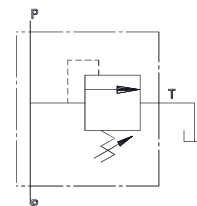
A		Socket Screw
B		Handknob
C		Tamperproof Cap

Ordering Code Example: PRL350220A = 3/8 Port Size - 40-210 bar setting range, Socket screw adjustment.

Dimensions

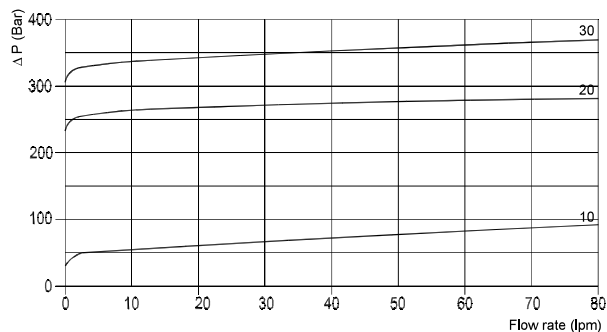


Hydraulic Symbol



Size	A	B max	C	D	E	F	G	H	L	M BSP	N	Q	S	Weight kg
03	80	57	20	28	23,5	60	6	6,5	48	1/2	6	68	40	0,70
04	80	57	20	28	23,5	60	6	6,5	48	3/4	6	68	40	0,67

Curves



Features

Rated Flow	80 lpm
Max Pressure	350 bar

Materials: Zinc plated steel cartridge, hardened steel inner parts.
Aluminium manifold.

Ordering Code

PRL 80

-- -- -

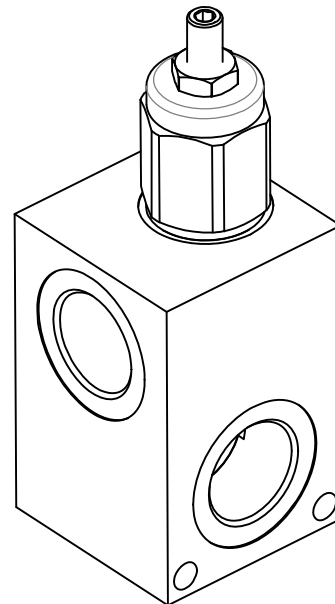
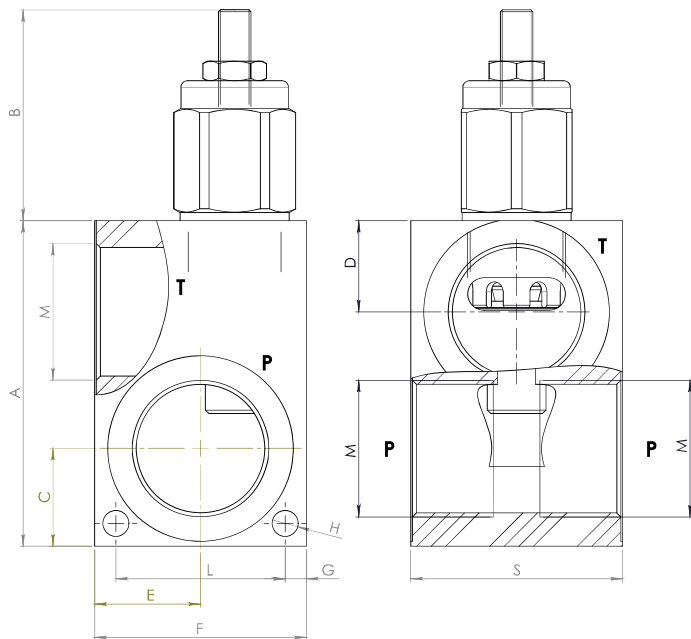
Port Size BSP		Spring (bar)	
03	1/2	10	5-50
04	3/4	20	30-260
		30	130-350

Adjustments

A		Socket Screw
B		Handknob
C		Tamperproof Cap

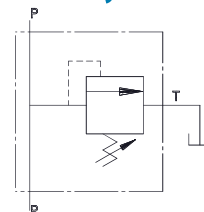
Ordering Code Example: PRL800420A = 3/4 Port Size - 30-260 bar setting range, Socket screw adjustment.

Dimensions

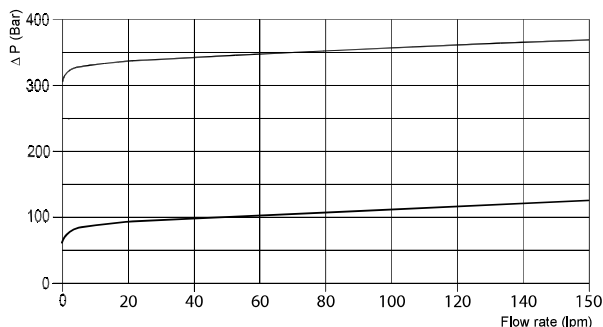


Size	A	B max	C	D	E	F	G	H	L	M BSP	N	S	Weight kg
05	100	65	30	28	32,5	65	6,5	8	52	1	7	65	2,86
06	100	65	30	28	32,5	65	6,5	8	52	1 1/4	7	65	2,54

Hydraulic Symbol



Curves



Features

Rated Flow	150 lpm
Max Pressure	350 bar

Materials: Zinc plated steel cartridge, hardened steel inner parts.
Steel manifold.

Ordering Code

PRL 150

--

--

-

Port Size BSP		Spring (bar)	
05	1	10	5-120
06	1 1/4	30	50-350

Adjustments

A		Socket Screw
B		Handknob
C		Tamperproof Cap

Ordering Code Example: PRL1500530A = 1 BSP Port Size - 50-350 bar setting range, Socket screw adjustment.