

MPFX series

Maximum working pressure up to 800 kPa (8 bar) - Flow rate up to 750 l/min



Description

Return filter

Maximum working pressure up to 800 kPa (8 bar)
Flow rate up to 750 l/min

MPFX is a range of return filters for protection of the reservoir against the system contamination.

They are directly fixed to the reservoir, in immersed or semi-immersed position.

The filter output must be always immersed into the fluid to avoid aeration or foam generation into the reservoir.

Available features:

- Female threaded connections up to 2" and flanged connections up to 2", for a maximum flow rate of 750 l/min
- Multiple connections, to connect several return lines or drains
- Fine filtration rating, to get a good cleanliness level into the reservoir
- Bypass valve integrated into the filter element, to relieve excessive pressure drop across the filter media
- 2, 3 or 4 fixing holes for installation, to meet any reservoir surface flatness and roughness
- O-ring or Flat seal, to meet any reservoir surface flatness and roughness
- Oil dipstick, to easily check the level of the fluid into the reservoir (sold as separate item)
- Extension tube, to be used in deep reservoirs (sold as separate item)
- Diffuser, to reduce the risk of aeration, foaming and noise (sold as separate item)
- Filler plug, to fill cleaned fluid into the tank without an additional connection
- Visual, electrical and electronic clogging indicators
- Myclean interface connection, to protect the product against non-original spare parts
- External protective wrap, to optimize the flow through the element and to save the element efficiency against non-proper handling

Common applications:

- Light Industrial equipment
- Mobile application

Technical data

Filter housing materials

- Head: Aluminium
- Cover
 Nylon: MPFX 030-100-104-110
 Aluminium: MPFX 181-182-184-191-192-194-400-410-450-451-750
- Bowl: Nylon

Bypass valve

- Opening pressure 175 kPa (1.75 bar) ±10%
- Opening pressure 300 kPa (3 bar) ±10%

Δp element type

- Microfiber filter elements - series H: 10 bar
- Fluid flow through the filter element from OUT to IN

Seals

- Standard NBR series A
- Optional FPM series V

Temperature

From -25 °C to +110 °C

Note

MPFX filters are provided for vertical mounting



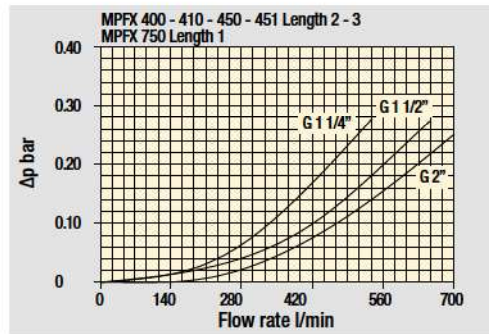
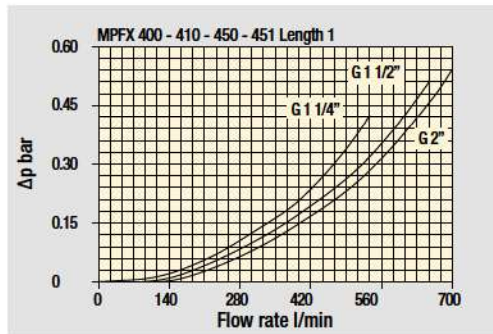
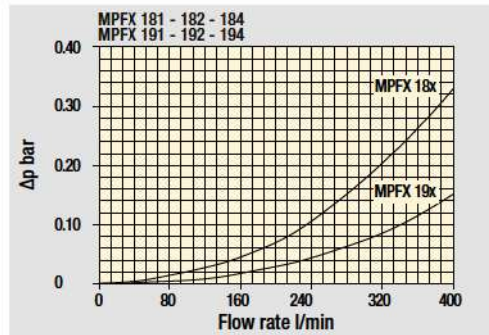
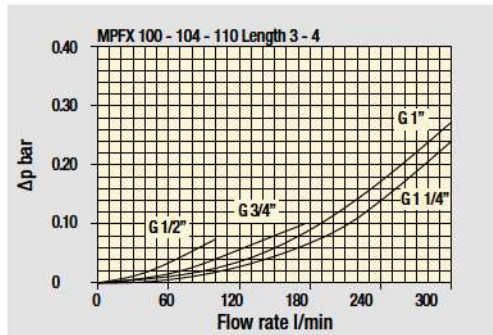
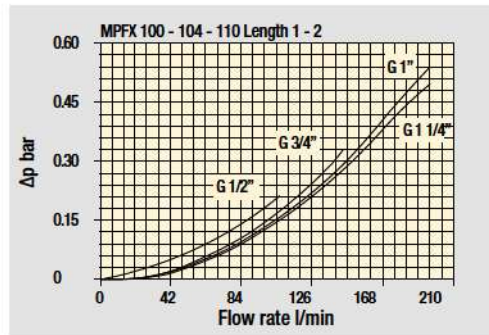
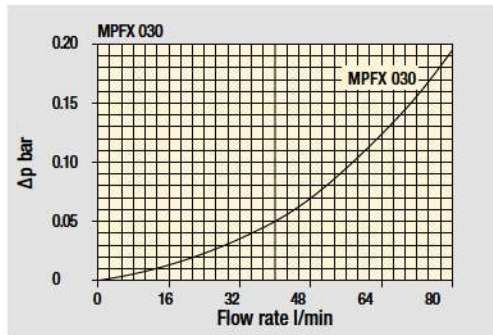
Weights [kg] and volumes [dm³]

Filter series	Weights [kg]					Volumes [dm ³]				
	Length	1	2	3	4	Length	1	2	3	4
MPFX 030		0.40	-	-	-		0.29	-	-	-
MPFX 100		0.61	0.64	0.67	0.74		0.64	0.85	1.20	1.65
MPFX 104		0.82	0.96	1.02	1.25		0.64	0.85	1.20	1.65
MPFX 110		0.64	0.68	0.71	0.78		-	-	-	-
MPFX 181		2.20	3.00	-	-		2.50	4.00	-	-
MPFX 182		2.30	3.10	-	-		2.50	4.00	-	-
MPFX 184		2.55	3.45	-	-		2.65	4.45	-	-
MPFX 191		-	3.00	-	-		-	4.25	-	-
MPFX 192		-	3.10	-	-		-	4.25	-	-
MPFX 194		-	3.45	-	-		-	4.45	-	-
MPFX 400		3.35	3.65	3.90	-		3.70	4.60	5.40	-
MPFX 410		3.55	3.85	4.10	-		3.70	4.60	5.40	-
MPFX 450-451		3.95	4.25	4.50	-		3.70	4.60	5.40	-
MPFX 750		6.30	-	-	-		8.45	-	-	-

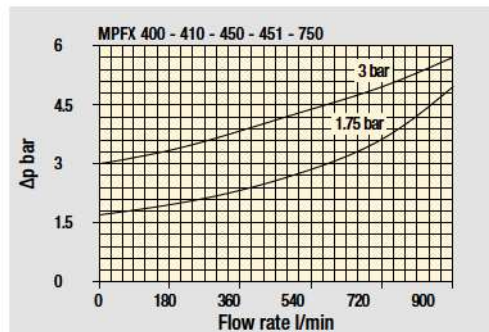
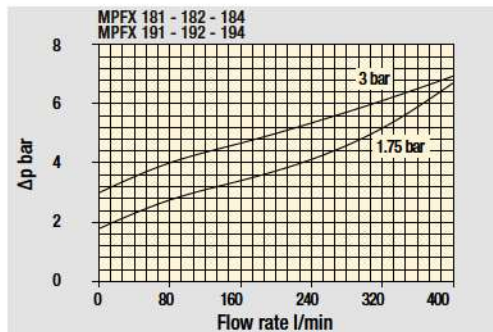
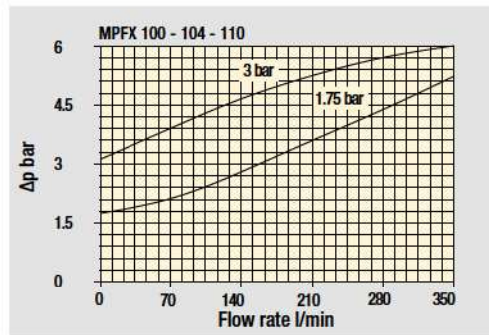
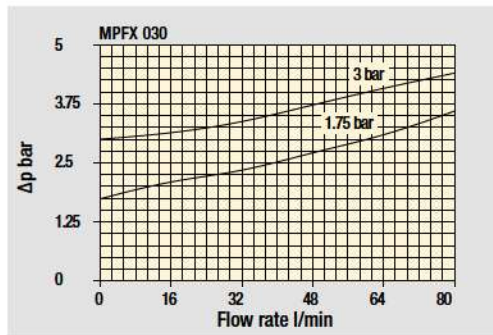
GENERAL INFORMATION MPFX

Pressure drop

Filter housings Δp pressure drop



Bypass valve pressure drop



The curves are plotted using mineral oil with density of 0.86 kg/dm³ in compliance with ISO 3968.
 Δp varies proportionally with density.

MPFX GENERAL INFORMATION

Flow rates [l/min]

Filter series	Length	Filter element design - H series					Filter element design - N series		
		A03	A06	A10	A16	A25	M25 M60 M90	P10	P25
MPFX 030	1	7	10	24	29	47	84	60	66
MPFX 100-104-110	1	18	20	53	56	65	153	87	96
	2	28	38	65	75	95	158	111	123
	3	48	55	125	135	169	289	224	251
	4	79	89	180	185	198	306	264	289
MPFX 181-182-184	1	127	148	235	243	278	441	285	299
	2	231	262	358	382	388	472	404	412
MPFX 191-192-194	2	261	305	489	528	546	696	583	598
MPFX 400	1	150	171	294	304	350	585	370	390
	2	237	252	454	462	589	868	619	645
	3	248	288	553	609	621	885	680	703
MPFX 410	1	146	167	277	285	325	512	341	357
	2	226	239	396	402	485	644	503	519
	3	236	269	462	497	505	653	539	553
MPFX 450-451	1	150	171	294	304	350	585	370	390
	2	237	252	454	462	589	868	619	645
	3	248	288	553	609	621	885	680	703
MPFX 750	1	392	465	623	700	769	929	804	819

Maximum flow rate for a complete return filter with a pressure drop $\Delta p = 0.5$ bar.

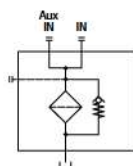
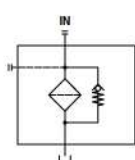
The reference fluid has a kinematic viscosity of 30 mm²/s (cSt) and a density of 0.86 kg/dm³.

For different pressure drop or fluid viscosity we recommend to use our selection software available on www.mpfiltri.com.

Please, contact our Sales Department for further additional information.

Hydraulic symbols

Filter series	Style 1 connection	Style 2 connections
MPFX 030	•	
MPFX 100	•	
MPFX 104	•	
MPFX 110		•
MPFX 181	•	
MPFX 182		•
MPFX 184	•	•
MPFX 191	•	
MPFX 192	•	
MPFX 194	•	•
MPFX 400	•	
MPFX 410		•
MPFX 450	•	
MPFX 451		•
MPFX 750	•	



Standard - Single IN port



Double IN port
Option: double indicator port



Double IN port - Drain port
Option: indicator port



Double IN port - Double drain port



COMPLETE FILTER

Series and size MPFX030 Filter element with private spigot	Configuration example 1: MPFX030 1 V G1 M25 N B P01	Configuration example 2: MPFX030 1 A G4 A10 H E P01
Length 1		
Seals and treatments A NBR V FPM W NBR head anodized Z FPM head anodized		
Connections G1 G 1/2" G4 1/2" NPT G7 SAE 8 - 3/4" - 16 UNF		
Filtration rating (filter media) A03 Inorganic microfiber A06 Inorganic microfiber A10 Inorganic microfiber A16 Inorganic microfiber A25 Inorganic microfiber M25 Wire mesh M60 Wire mesh M90 Wire mesh P10 Resin impregnated paper 10 µm P25 Resin impregnated paper		
Element Δp N 10 bar H 10 bar W 10 bar, compatible with fluids HFA, HFB and HFC	Filter media Axx Mxx Pxx • • • • •	Bypass valve E 3 bar B 1.75 bar Execution P01 MP Filtri standard Pxx Customized

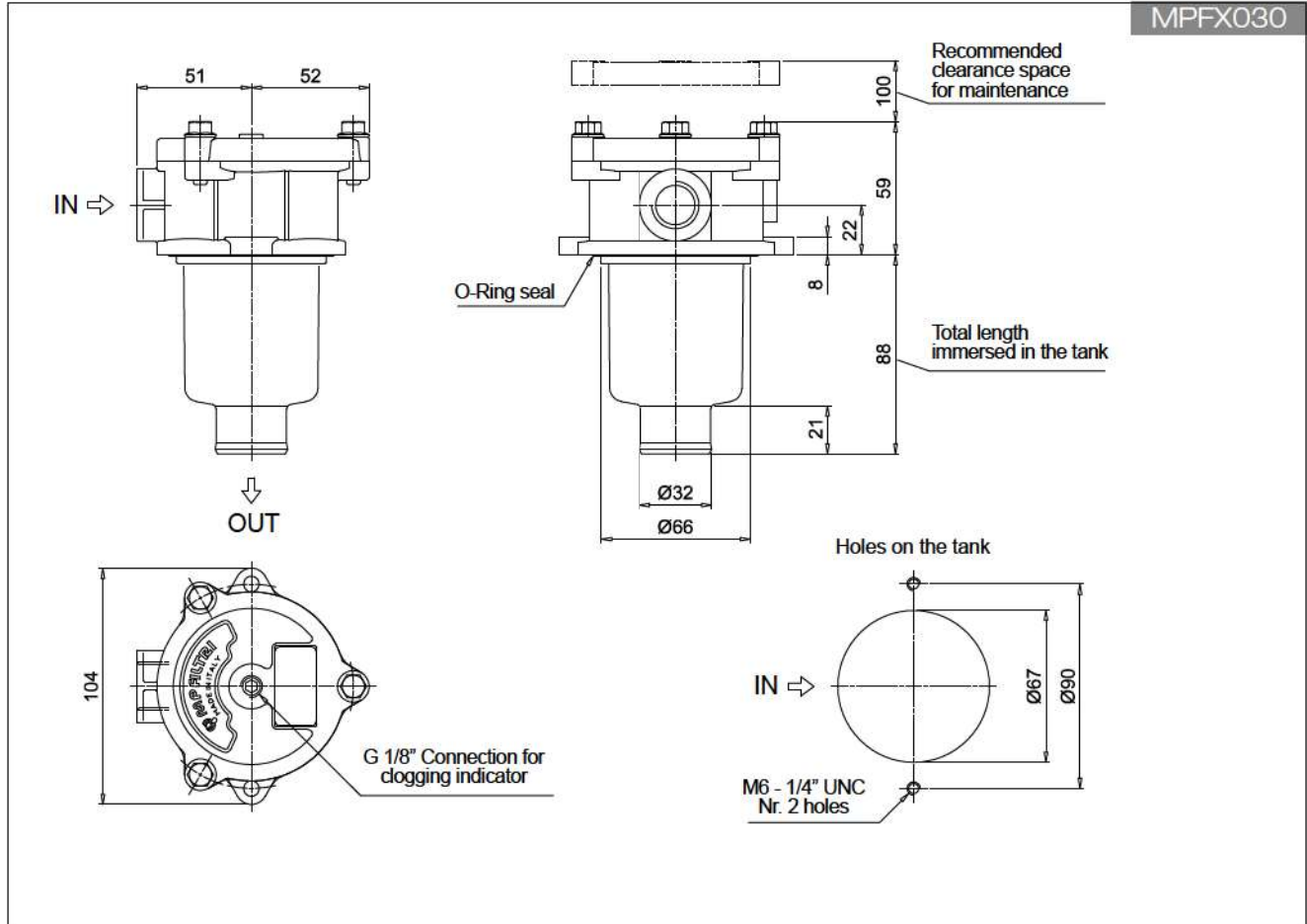
FILTER ELEMENT

Element series and size MFX030 Filter element with private spigot	Configuration example 1: MFX030 1 M25 N V P01	Configuration example 2: MFX030 1 A10 H B E P01
Element length 1		
Filtration rating (filter media) A03 Inorganic microfiber 3 µm A06 Inorganic microfiber 6 µm A10 Inorganic microfiber 10 µm A16 Inorganic microfiber 16 µm A25 Inorganic microfiber 25 µm M25 Wire mesh 25 µm M60 Wire mesh 60 µm M90 Wire mesh 90 µm P10 Resin impregnated paper 10 µm P25 Resin impregnated paper 25 µm		
Element Δp N 10 bar H 10 bar W 10 bar, compatible with fluids HFA, HFB and HFC	Filter media Axx Mxx Pxx • • • • •	Seals B NBR V FPM Bypass valve E 3 bar 1.75 bar Execution P01 MP Filtri standard Pxx Customized

ACCESSORIES

Indicators	page		page
BVA Axial pressure gauge	240	BEA Electrical pressure indicator	239
BVR Radial pressure gauge	240	BEM Electrical pressure indicator	239
BVP Visual pressure indicator with automatic reset	241	BLA Electrical / visual pressure indicator	239-240
BVQ Visual pressure indicator with manual reset	241		
Additional features	page		
TE Extension tube	248		
T5 Filler plug M30x1.5	249		

MPFX030



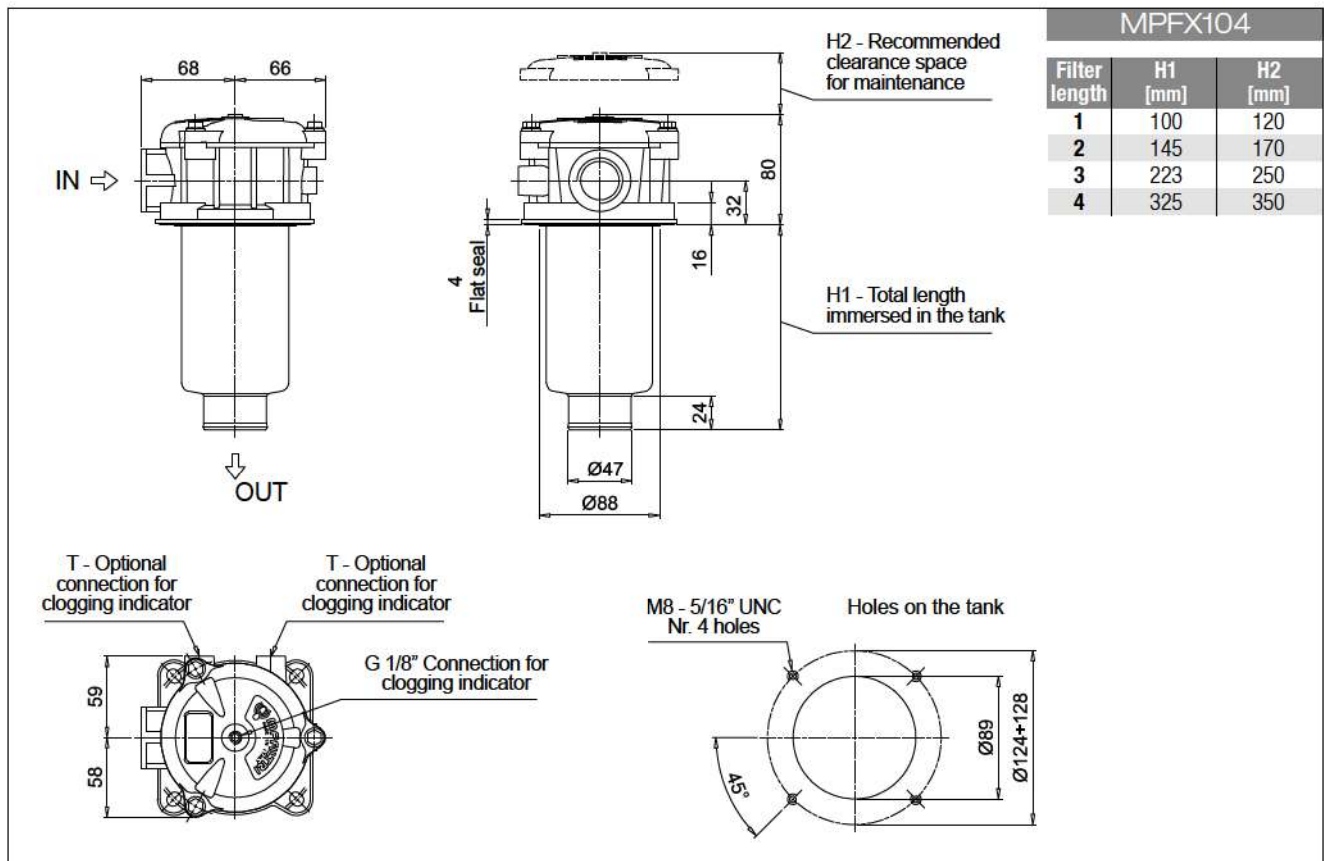
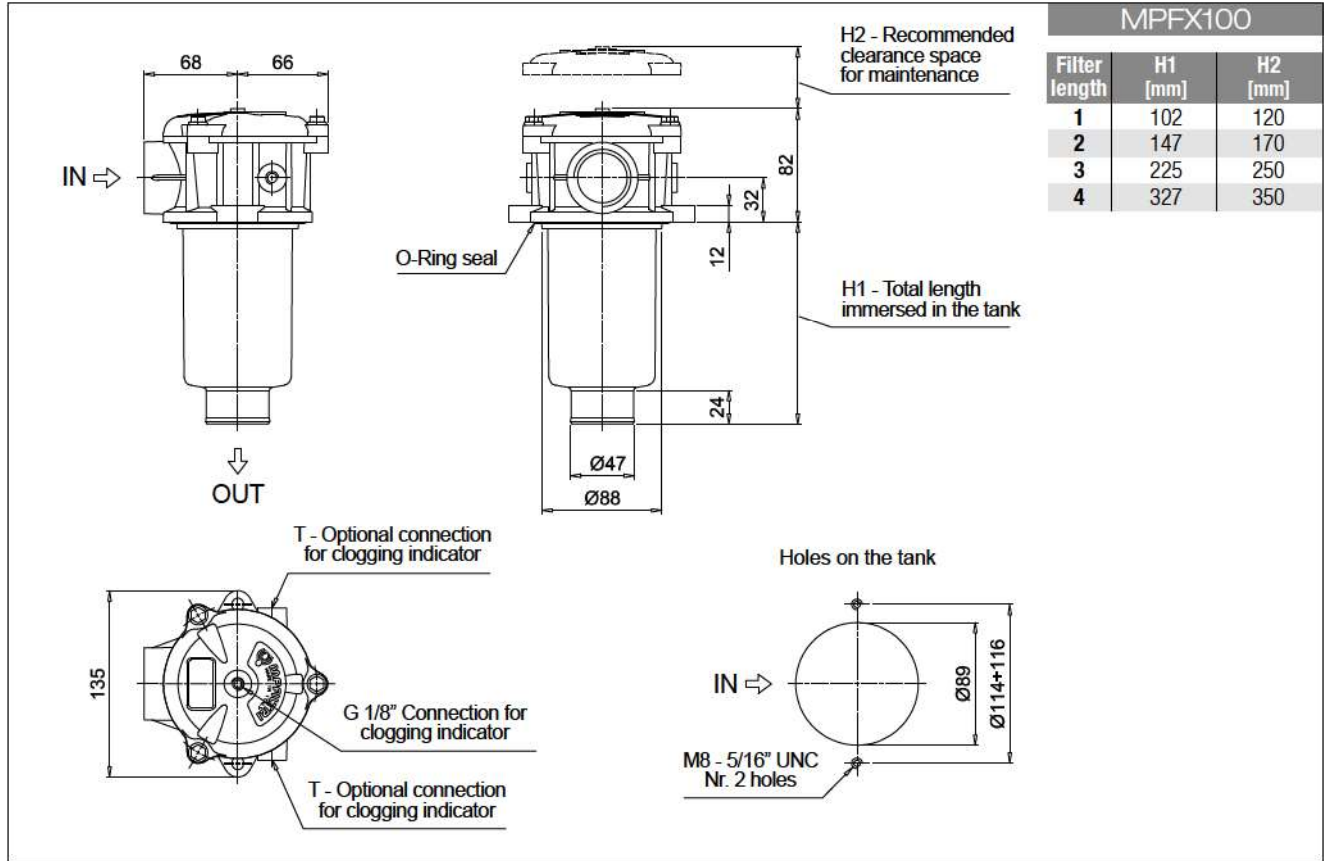
MPFX MPFX100 - MPFX104

Designation & Ordering code

COMPLETE FILTER																									
Series and size			Configuration example 1: MPFX100 2 W G3 A06 W B P01																						
MPFX100 MPFX104 Filter element with private spigot			Configuration example 2: MPFX104 4 A G8 P10 N E P01																						
Length			1 2 3 4																						
Seals and treatments			A NBR V FPM W NBR head anodized Z FPM head anodized																						
Connections		Size 100	Size 104	Connections		Size 100	Size 104																		
G1	G 1/2"	•	•	G7	SAE 8 - 3/4" - 16 UNF	•	•																		
G2	G 3/4"	•	•	G8	SAE 12 - 1 1/16" - 12 UN	•	•																		
G3	G 1"	•	•	G9	SAE 16 - 1 5/16" - 12 UN	•	•																		
G4	1/2" NPT	•	•	G10	G 1 1/4"	•																			
G5	3/4" NPT	•	•	G11	1 1/4" NPT	•																			
G6	1" NPT	•	•	G12	SAE 20 - 1 5/8" - 12 UN	•																			
Filtration rating (filter media)			A03 Inorganic microfiber 3 µm A06 Inorganic microfiber 6 µm A10 Inorganic microfiber 10 µm A16 Inorganic microfiber 16 µm A25 Inorganic microfiber 25 µm M25 Wire mesh 25 µm M60 Wire mesh 60 µm M90 Wire mesh 90 µm P10 Resin impregnated paper 10 µm P25 Resin impregnated paper 25 µm																						
Element Δp			<table border="1"> <thead> <tr> <th>Filter media</th> <th>Axx</th> <th>Mxx</th> <th>Pxx</th> </tr> </thead> <tbody> <tr> <td>N 10 bar</td> <td></td> <td>•</td> <td>•</td> </tr> <tr> <td>H 10 bar</td> <td></td> <td>•</td> <td></td> </tr> <tr> <td>W 10 bar, compatible with fluids HFA, HFB and HFC</td> <td>•</td> <td>•</td> <td></td> </tr> </tbody> </table>							Filter media	Axx	Mxx	Pxx	N 10 bar		•	•	H 10 bar		•		W 10 bar, compatible with fluids HFA, HFB and HFC	•	•	
Filter media	Axx	Mxx	Pxx																						
N 10 bar		•	•																						
H 10 bar		•																							
W 10 bar, compatible with fluids HFA, HFB and HFC	•	•																							
			Bypass valve		Execution																				
			E 3 bar		P01 MP Filtri standard																				
			B 1.75 bar		Pxx Customized																				

FILTER ELEMENT																									
Element series and size			Configuration example 1: MFX100 2 A06 W B P01																						
MFX100 Filter element with private spigot			Configuration example 2: MFX100 4 P10 N B E P01																						
Element length			1 2 3 4																						
Filtration rating (filter media)			A03 Inorganic microfiber 3 µm A06 Inorganic microfiber 6 µm A10 Inorganic microfiber 10 µm A16 Inorganic microfiber 16 µm A25 Inorganic microfiber 25 µm M25 Wire mesh 25 µm M60 Wire mesh 60 µm M90 Wire mesh 90 µm P10 Resin impregnated paper 10 µm P25 Resin impregnated paper 25 µm																						
Element Δp			<table border="1"> <thead> <tr> <th>Filter media</th> <th>Axx</th> <th>Mxx</th> <th>Pxx</th> </tr> </thead> <tbody> <tr> <td>N 10 bar</td> <td></td> <td>•</td> <td>•</td> </tr> <tr> <td>H 10 bar</td> <td></td> <td>•</td> <td></td> </tr> <tr> <td>W 10 bar, compatible with fluids HFA, HFB and HFC</td> <td>•</td> <td>•</td> <td></td> </tr> </tbody> </table>							Filter media	Axx	Mxx	Pxx	N 10 bar		•	•	H 10 bar		•		W 10 bar, compatible with fluids HFA, HFB and HFC	•	•	
Filter media	Axx	Mxx	Pxx																						
N 10 bar		•	•																						
H 10 bar		•																							
W 10 bar, compatible with fluids HFA, HFB and HFC	•	•																							
			Seals		Bypass valve		Execution																		
			B NBR		E 3 bar		P01 MP Filtri standard																		
			V FPM		1.75 bar		Pxx Customized																		

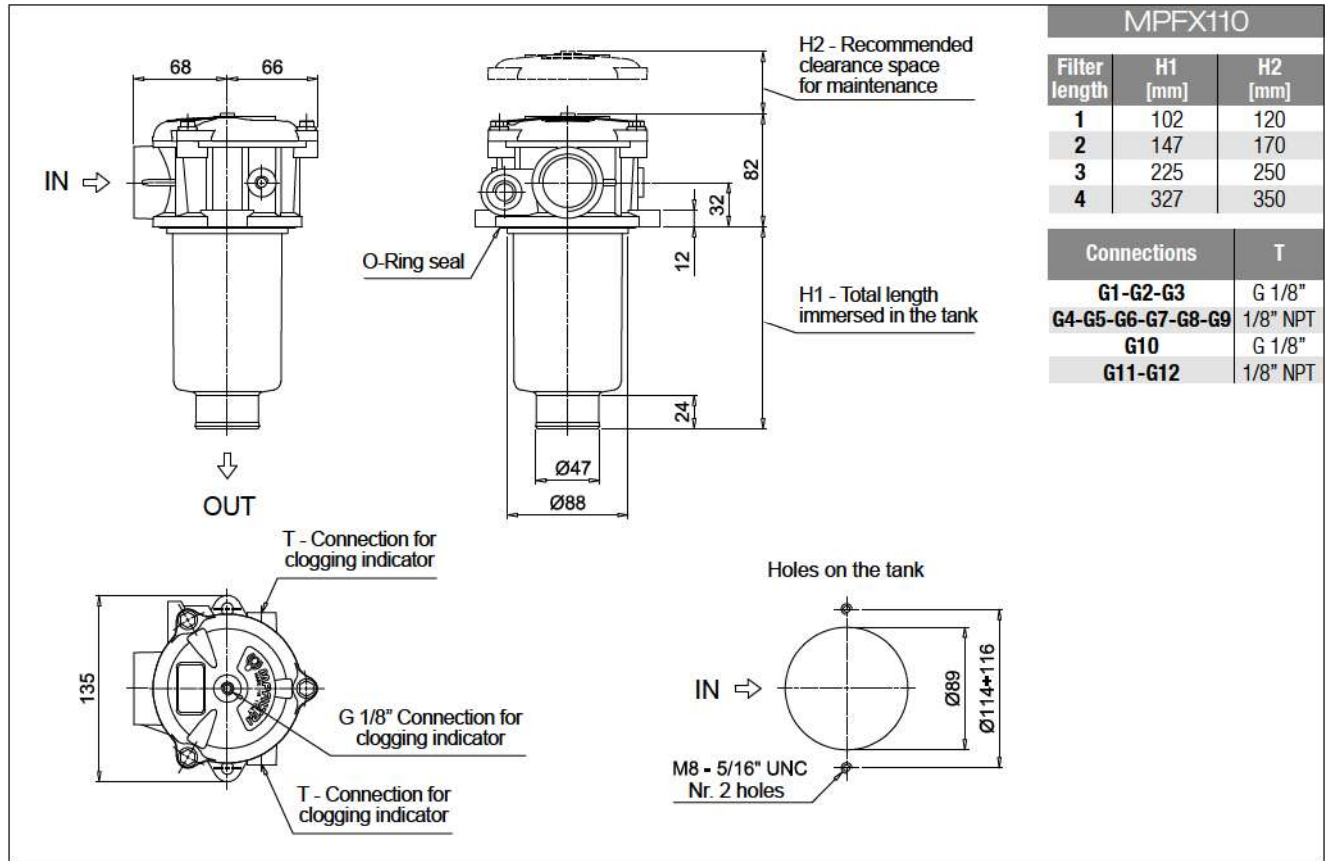
ACCESSORIES			
Indicators		page	page
BVA	Axial pressure gauge	240	BEA Electrical pressure indicator 239
BVR	Radial pressure gauge	240	BEM Electrical pressure indicator 239
BVP	Visual pressure indicator with automatic reset	241	BLA Electrical / visual pressure indicator 239-240
BVQ	Visual pressure indicator with manual reset	241	
Additional features		page	page
TE	Extension tube	248	T5 Filler plug M30x1.5 249
DFS	Diffuser with fast lock connection	249	DPT Dipstick 249



COMPLETE FILTER														
Series and size			Configuration example 1: MPFX110 3 Z G4 2 M25 W B P01											
MPFX110 Filter element with private spigot			Configuration example 2: MPFX110 4 A G8 1 P10 N E P01											
Length			1 2 3 4											
Seals and treatments			<table border="0"> <tr> <td>A NBR</td> <td>W NBR head anodized</td> </tr> <tr> <td>V FPM</td> <td>Z FPM head anodized</td> </tr> </table>								A NBR	W NBR head anodized	V FPM	Z FPM head anodized
A NBR	W NBR head anodized													
V FPM	Z FPM head anodized													
Main Connections		Aux size 1		Aux size 2		Main Connections		Aux size 1		Aux size 2				
G1 G 1/2"						G7 SAE 8 - 3/4" - 16 UNF								
G2 G 3/4"	G 3/8"	G 1/2"				G8 SAE 12 - 1 1/16" - 12 UN	SAE 6 - 9/16" - 18 UNF			SAE 8 - 3/4" - 16 UNF				
G3 G 1"						G9 SAE 16 - 1 5/16" - 12 UN								
G4 1/2" NPT						G10 G 1 1/4"	G 3/8"			G 1/2"				
G5 3/4" NPT	3/8" NPT	1/2" NPT				G11 1 1/4" NPT	3/8" NPT			1/2" NPT				
G6 1" NPT						G12 SAE 20 - 1 5/8" - 12 UN	SAE 6 - 9/16" - 18 UNF			SAE 8 - 3/4" - 16 UNF				
Aux connection - see previous table														
1 Aux size 1			2 Aux size 2											
Filtration rating (filter media)														
A03 Inorganic microfiber 3 µm			M25 Wire mesh 25 µm											
A06 Inorganic microfiber 6 µm			M60 Wire mesh 60 µm											
A10 Inorganic microfiber 10 µm			M90 Wire mesh 90 µm											
A16 Inorganic microfiber 16 µm			P10 Resin impregnated paper 10 µm											
A25 Inorganic microfiber 25 µm			P25 Resin impregnated paper 25 µm											
Element Δp			Filter media											
N 10 bar			Axx Mxx Pxx											
H 10 bar			• • •											
W 10 bar, compatible with fluids HFA, HFB and HFC			• • •											
			Bypass valve		Execution									
			E 3 bar		P01 MP Filtri standard									
			B 1.75 bar		Pxx Customized									

FILTER ELEMENT										
Element series and size			Configuration example 1: MFX100 3 M25 W V P01							
MFX100 Filter element with private spigot			Configuration example 2: MFX100 4 P10 N B E P01							
Element length			1 2 3 4							
Filtration rating (filter media)										
A03 Inorganic microfiber 3 µm			M25 Wire mesh 25 µm							
A06 Inorganic microfiber 6 µm			M60 Wire mesh 60 µm							
A10 Inorganic microfiber 10 µm			M90 Wire mesh 90 µm							
A16 Inorganic microfiber 16 µm			P10 Resin impregnated paper 10 µm							
A25 Inorganic microfiber 25 µm			P25 Resin impregnated paper 25 µm							
Element Δp			Filter media							
N 10 bar			Axx Mxx Pxx							
H 10 bar			• • •							
W 10 bar, compatible with fluids HFA, HFB and HFC			• • •							
			Seals		Bypass valve		Execution			
			B NBR		E 3 bar		P01 MP Filtri standard			
			V FPM		1.75 bar		Pxx Customized			

ACCESSORIES			
Indicators		page	page
BVA Axial pressure gauge		240	BEA Electrical pressure indicator 239
BVR Radial pressure gauge		240	BEM Electrical pressure indicator 239
BVP Visual pressure indicator with automatic reset		241	BLA Electrical / visual pressure indicator 239-240
BVQ Visual pressure indicator with manual reset		241	
Additional features		page	page
TE Extension tube		248	T5 Filler plug M30x1.5 249
DFS Diffuser with fast lock connection		249	DPT Dipstick 249



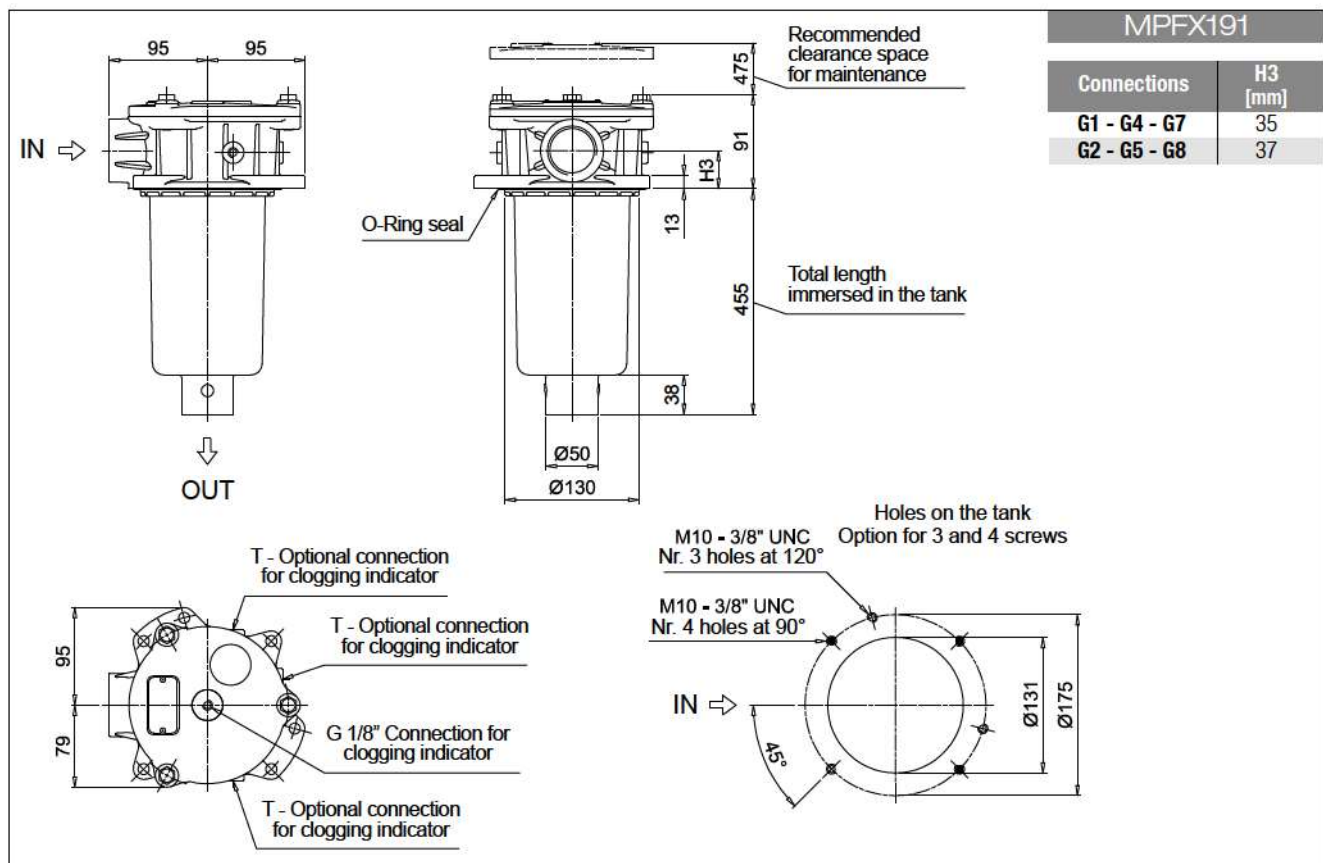
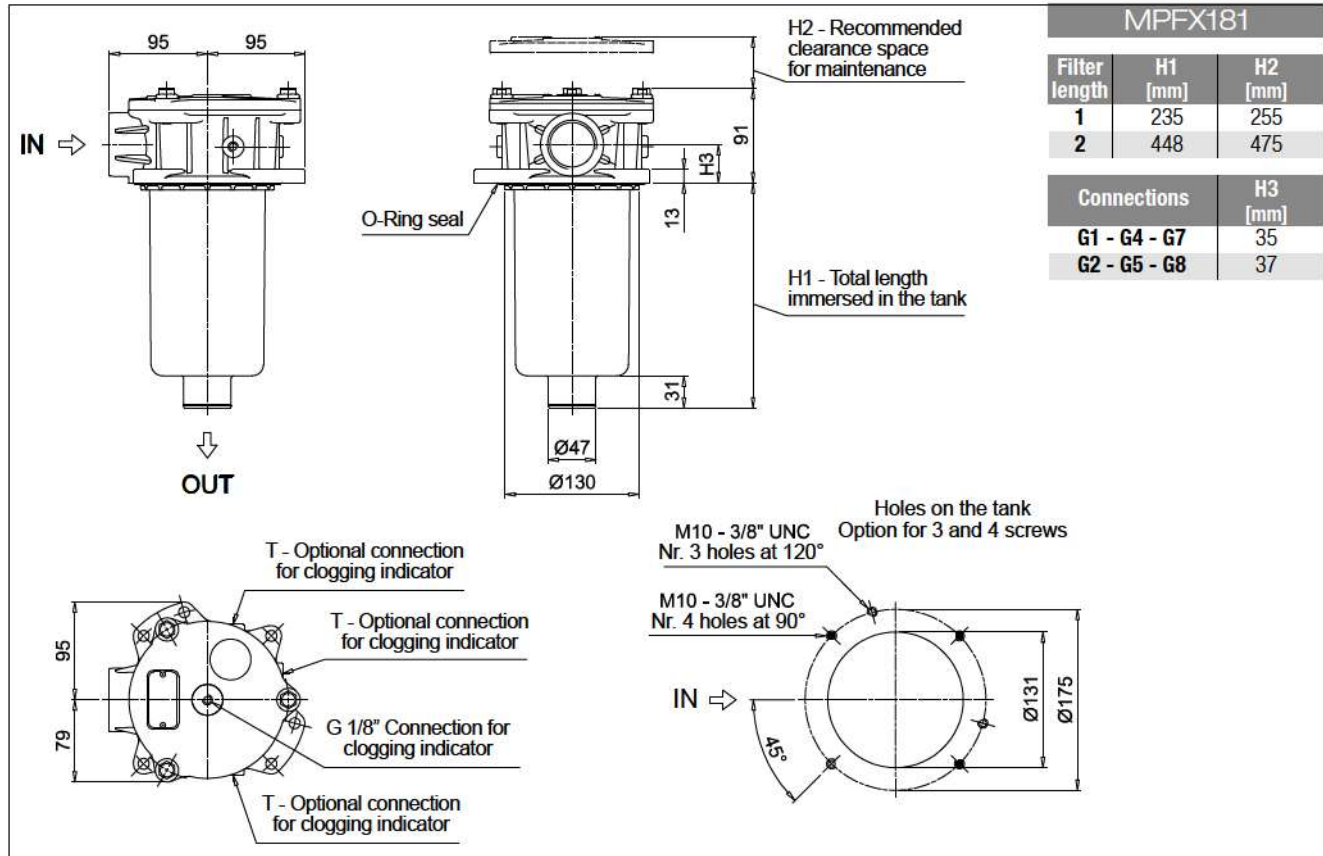
MPFX MPFX181 - MPFX191

Designation & Ordering code

COMPLETE FILTER									
Series and size			Configuration example 1: MPFX181 1 A G1 A25 H E P01						
MPFX181 MPFX191 Filter element with private spigot			Configuration example 2: MPFX191 2 V G2 P10 N B P01						
Length		Size 181	Size 191						
1		•							
2		•	•						
Seals and treatments									
A	NBR	B	NBR flat seal on head						
V	FPM	D	FPM flat seal on head						
W	NBR head anodized	L	NBR head anodized, flat seal on head						
Z	FPM head anodized	M	FPM head anodized, flat seal on head						
Connections									
G1	G 1 1/4"	G5	1 1/2" NPT						
G2	G 1 1/2"	G7	SAE 20 - 1 5/8" - 12 UN						
G4	1 1/4" NPT	G8	SAE 24 - 1 7/8" - 12 UN						
Filtration rating (filter media)									
A03	Inorganic microfiber 3 µm	M25	Wire mesh 25 µm						
A06	Inorganic microfiber 6 µm	M60	Wire mesh 60 µm						
A10	Inorganic microfiber 10 µm	M90	Wire mesh 90 µm						
A16	Inorganic microfiber 16 µm	P10	Resin impregnated paper 10 µm						
A25	Inorganic microfiber 25 µm	P25	Resin impregnated paper 25 µm						
Element Δp			Filter media						
N	10 bar	Axx	Mxx	Pxx					
H	10 bar	•	•	•					
W	10 bar, compatible with fluids HFA, HFB and HFC	•	•	•					
			Bypass valve		Execution				
			E 3 bar		P01 MP Filtri standard				
			B 1.75 bar		Pxx Customized				

FILTER ELEMENT									
Element series and size			Configuration example 1: MFX180 1 A25 H B E P01						
MFX180 Filter element with private spigot			Configuration example 2: MFX180 2 P10 N V P01						
Element length									
1									
2									
Filtration rating (filter media)									
A03	Inorganic microfiber 3 µm	M25	Wire mesh 25 µm						
A06	Inorganic microfiber 6 µm	M60	Wire mesh 60 µm						
A10	Inorganic microfiber 10 µm	M90	Wire mesh 90 µm						
A16	Inorganic microfiber 16 µm	P10	Resin impregnated paper 10 µm						
A25	Inorganic microfiber 25 µm	P25	Resin impregnated paper 25 µm						
Element Δp			Filter media						
N	10 bar	Axx	Mxx	Pxx					
H	10 bar	•	•	•					
W	10 bar, compatible with fluids HFA, HFB and HFC	•	•	•					
			Seals		Bypass valve		Execution		
			B NBR		E 3 bar		P01 MP Filtri standard		
			V FPM		1.75 bar		Pxx Customized		

ACCESSORIES			
Indicators		page	page
BVA	Axial pressure gauge	240	BEA Electrical pressure indicator 239
BVR	Radial pressure gauge	240	BEM Electrical pressure indicator 239
BVP	Visual pressure indicator with automatic reset	241	BLA Electrical / visual pressure indicator 239-240
BVQ	Visual pressure indicator with manual reset	241	
Additional features		page	
TE	Extension tube	248	
T5	Filler plug M30x1.5	249	



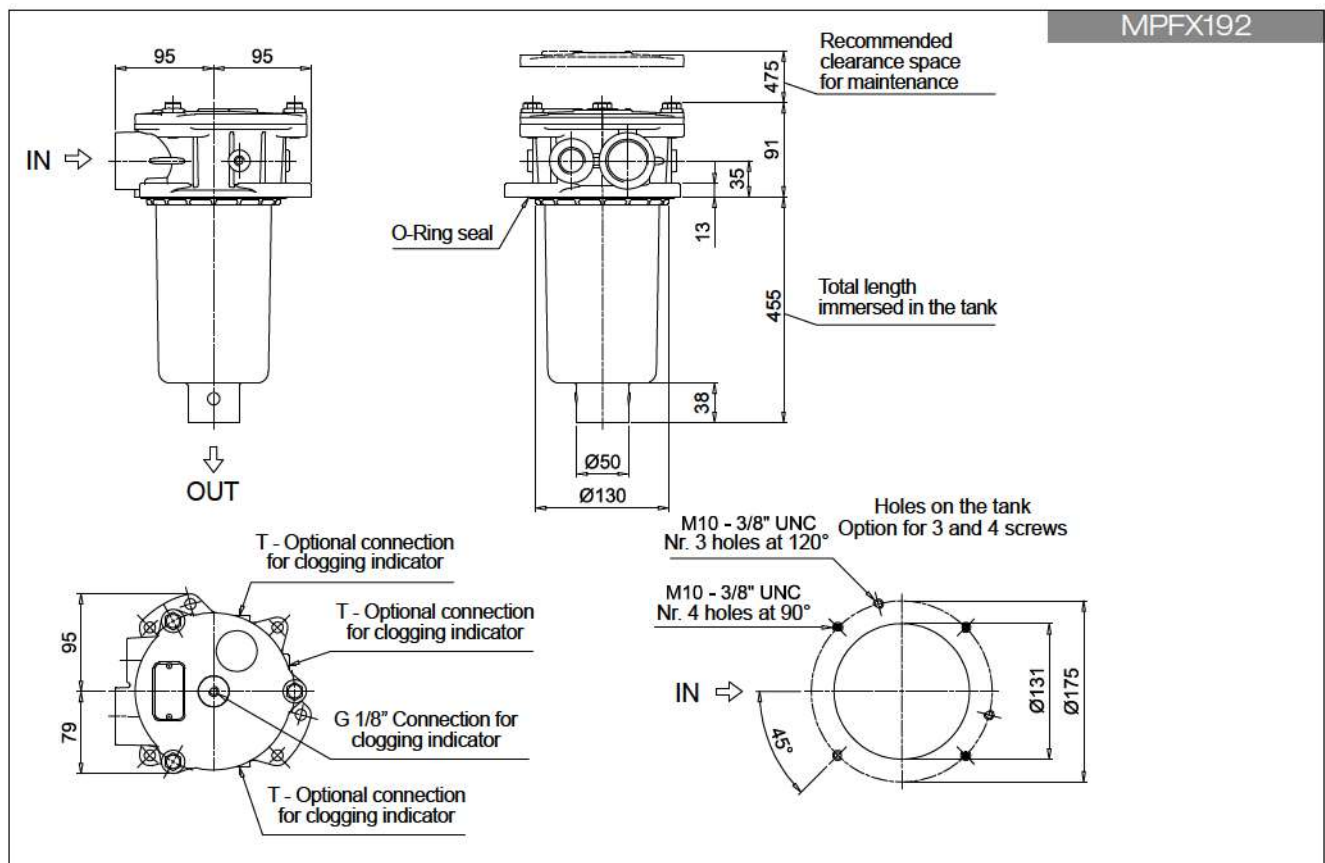
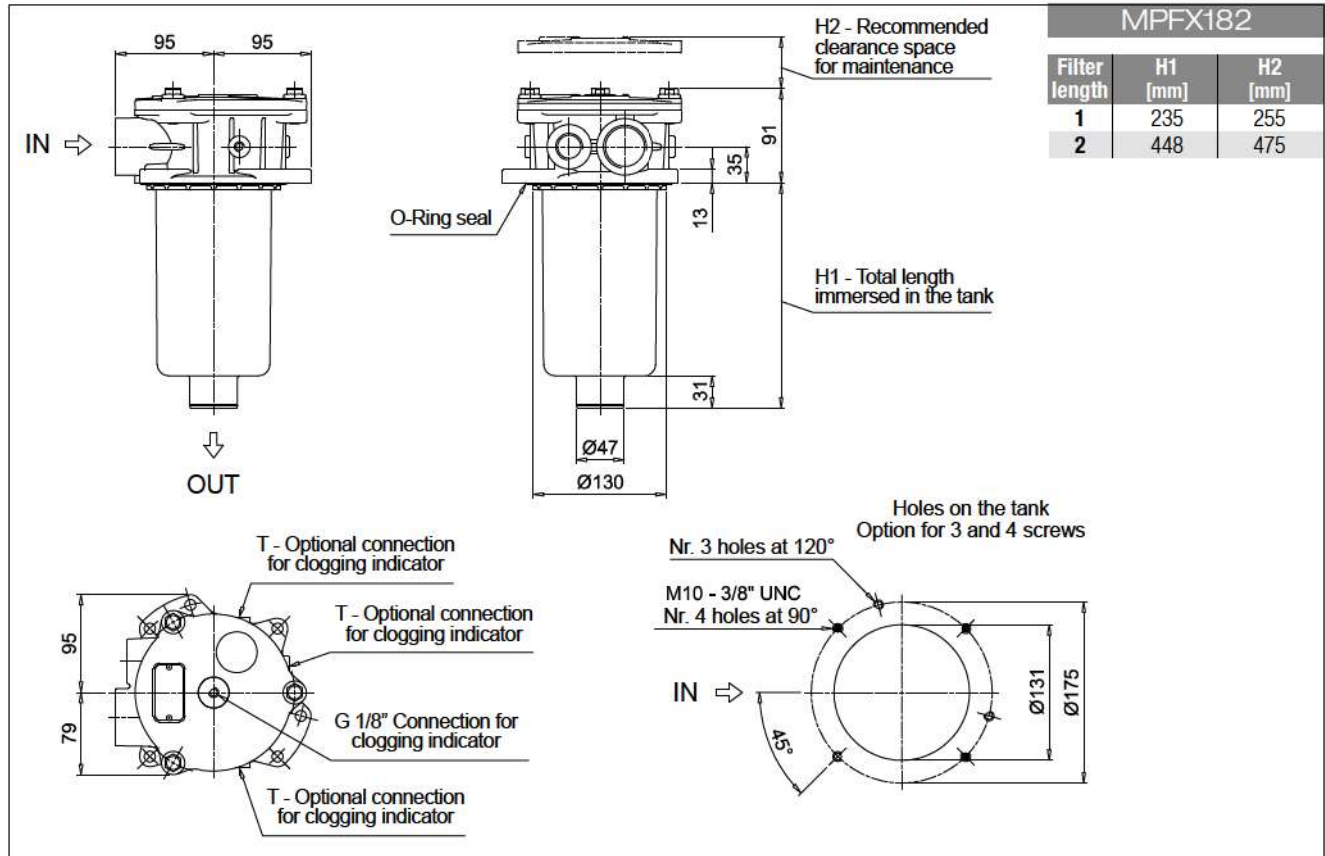
MPFX MPFX182 - MPFX192

Designation & Ordering code

COMPLETE FILTER										
Series and size			Configuration example 1: MPFX182 1 A G1 1 A25 H E P01							
MPFX182 MPFX192 Filter element with private spigot			Configuration example 2: MPFX192 2 V G4 2 P10 N B P01							
Length		Size 182	Size 192							
1		•								
2		•	•							
Seals and treatments										
A NBR	B NBR flat seal on head									
V FPM	D FPM flat seal on head									
W NBR head anodized	L NBR head anodized, flat seal on head									
Z FPM head anodized	M FPM head anodized, flat seal on head									
Main Connections		Aux size 1		Aux size 2						
G1 G 1 1/4"	G 1/2"		G 3/4"							
G4 1 1/4" NPT	1/2" NPT		3/4" NPT							
G7 SAE 20 - 1 5/8" - 12 UN	SAE 8 - 3/16" - 16 UNF		SAE 12 - 1 1/16" - 12 UN							
Aux connection - see previous table										
1 Aux size 1		2 Aux size 2								
Filtration rating (filter media)										
A03 Inorganic microfiber 3 µm		M25 Wire mesh 25 µm								
A06 Inorganic microfiber 6 µm		M60 Wire mesh 60 µm								
A10 Inorganic microfiber 10 µm		M90 Wire mesh 90 µm								
A16 Inorganic microfiber 16 µm		P10 Resin impregnated paper 10 µm								
A25 Inorganic microfiber 25 µm		P25 Resin impregnated paper 25 µm								
				Filter media						
Element Δp		Axx	Mxx	Pxx						
N 10 bar			•	•						
H 10 bar			•							
W 10 bar, compatible with fluids HFA, HFB and HFC		•	•							
				Bypass valve		Execution				
				E 3 bar		P01 MP Filtri standard				
				B 1.75 bar		Pxx Customized				

FILTER ELEMENT										
Element series and size			Configuration example 1: MFX180 1 A25 H B E P01							
MFX180 Filter element with private spigot			Configuration example 2: MFX180 2 P10 N V P01							
Element length										
1										
2										
Filtration rating (filter media)										
A03 Inorganic microfiber 3 µm		M25 Wire mesh 25 µm								
A06 Inorganic microfiber 6 µm		M60 Wire mesh 60 µm								
A10 Inorganic microfiber 10 µm		M90 Wire mesh 90 µm								
A16 Inorganic microfiber 16 µm		P10 Resin impregnated paper 10 µm								
A25 Inorganic microfiber 25 µm		P25 Resin impregnated paper 25 µm								
				Filter media						
Element Δp		Axx	Mxx	Pxx						
N 10 bar			•	•						
H 10 bar			•							
W 10 bar, compatible with fluids HFA, HFB and HFC		•	•							
				Seals		Bypass valve		Execution		
				B NBR		E 3 bar		P01 MP Filtri standard		
				V FPM		1.75 bar		Pxx Customized		

ACCESSORIES			
Indicators		page	page
BVA Axial pressure gauge		240	BEA Electrical pressure indicator 239
BVR Radial pressure gauge		240	BEM Electrical pressure indicator 239
BVP Visual pressure indicator with automatic reset		241	BLA Electrical / visual pressure indicator 239-240
BVQ Visual pressure indicator with manual reset		241	
Additional features		page	
TE Extension tube		248	
T5 Filler plug M30x1.5		249	



MPFX MPFX184 - MPFX194

Designation & Ordering code

COMPLETE FILTER

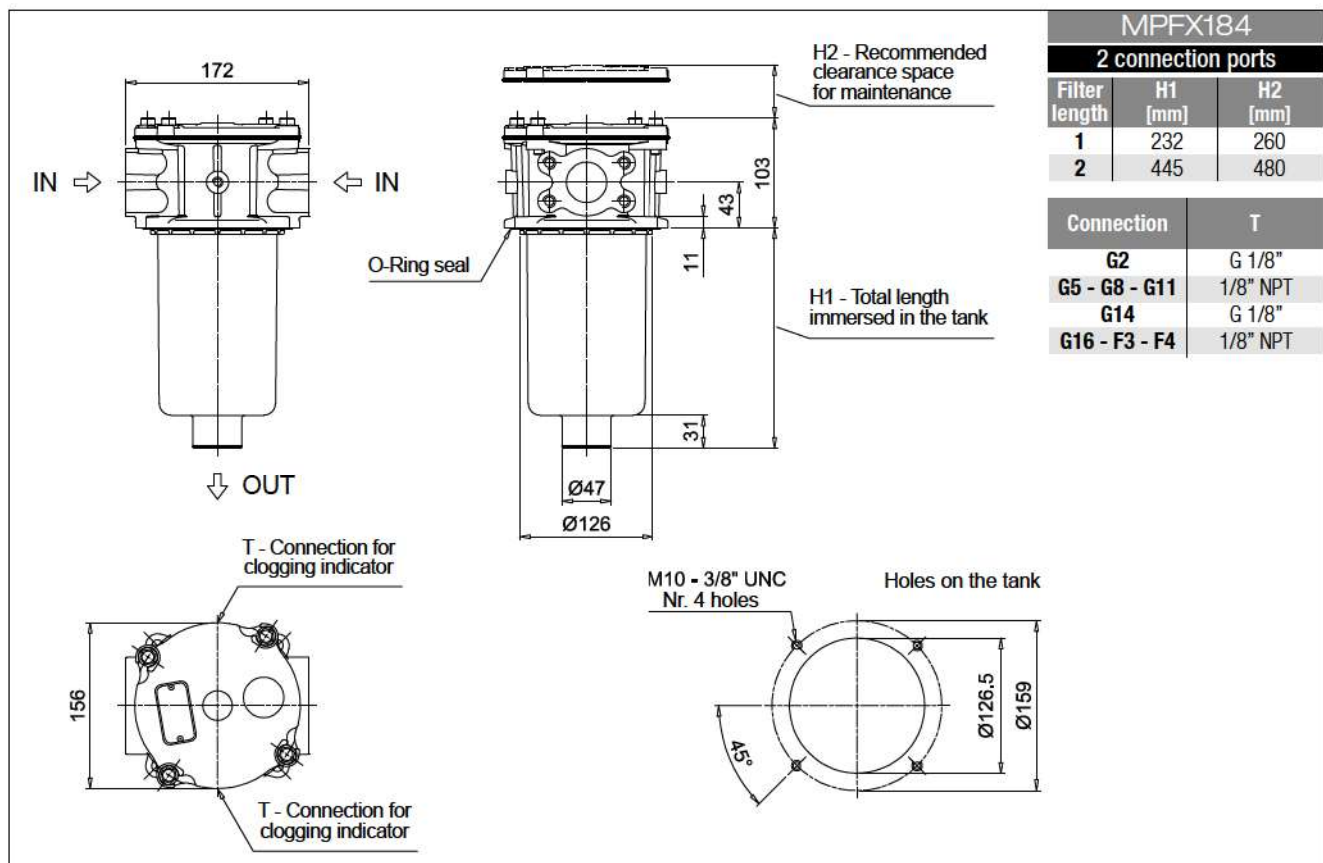
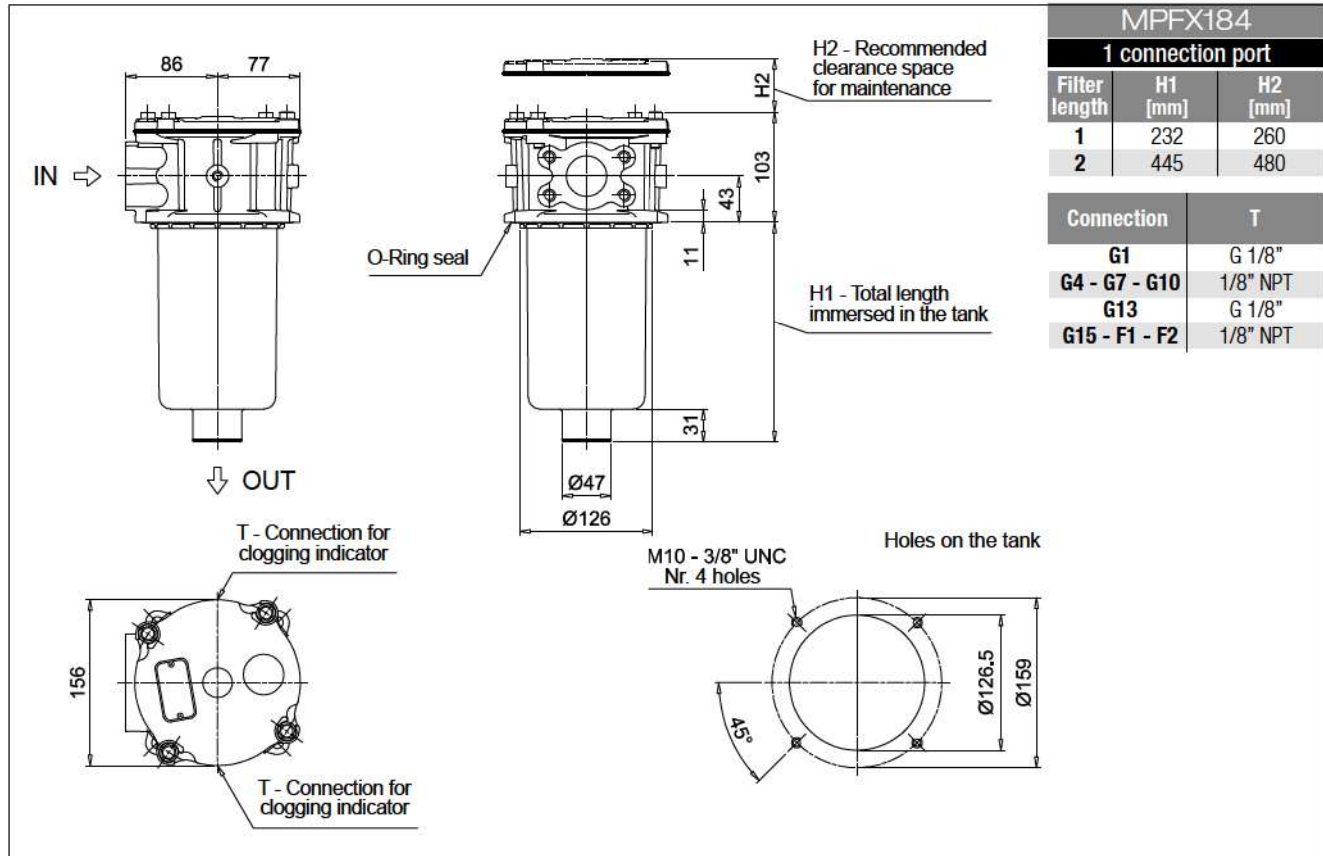
Series and size			Configuration example 1: MPFX184 1 A G1 A25 H E P01						
MPFX184 MPFX194 Filter element with private spigot			Configuration example 2: MPFX194 2 V F3 P10 N B P01						
Length		Size 184	Size 194						
1		•							
2		•	•						
Seals and treatments									
A NBR	W NBR	head anodized							
V FPM	Z FPM	head anodized							
Main Connections		Rear connections		Main Connections		Rear connections			
G1 G 1 1/4"	-			G13 G 1 1/2"	-				
G2 G 1 1/4"	G 1 1/4"			G14 G 1 1/2"	G 1 1/4"				
G4 1 1/4" NPT	-			G15 1 1/2" NPT	-				
G5 1 1/4" NPT	1 1/4" NPT			G16 1 1/2" NPT	1 1/4" NPT				
G7 SAE 20 - 1 5/8" - 12 UN	-			F1 1 1/2" SAE 3000 psi/M	-				
G8 SAE 20 - 1 5/8" - 12 UN	SAE 20 - 1 5/8" - 12 UN			F2 1 1/2" SAE 3000 psi/UNC	-				
G10 SAE 24 - 1 7/8" - 12 UN	-			F3 1 1/2" SAE 3000 psi/M	1 1/2" SAE 3000 psi/M				
G11 SAE 24 - 1 7/8" - 12 UN	SAE 20 - 1 5/8" - 12 UN			F4 1 1/2" SAE 3000 psi/UNC	1 1/2" SAE 3000 psi/UNC				
Filtration rating (filter media)									
A03 Inorganic microfiber 3 µm	M25 Wire mesh 25 µm								
A06 Inorganic microfiber 6 µm	M60 Wire mesh 60 µm								
A10 Inorganic microfiber 10 µm	M90 Wire mesh 90 µm								
A16 Inorganic microfiber 16 µm	P10 Resin impregnated paper 10 µm								
A25 Inorganic microfiber 25 µm	P25 Resin impregnated paper 25 µm								
Element Δp			Filter media						
N 10 bar	Axx	Mxx	Pxx						
H 10 bar		•	•						
W 10 bar, compatible with fluids HFA, HFB and HFC	•	•							
			Bypass valve		Execution				
			E 3 bar		P01 MP Filtri standard				
			B 1.75 bar		Pxx Customized				

FILTER ELEMENT

Element series and size			Configuration example 1: MFX180 1 A25 H B E P01						
MFX180 Filter element with private spigot			Configuration example 2: MFX180 2 P10 N V P01						
Element length									
1									
2									
Filtration rating (filter media)									
A03 Inorganic microfiber 3 µm	M25 Wire mesh 25 µm								
A06 Inorganic microfiber 6 µm	M60 Wire mesh 60 µm								
A10 Inorganic microfiber 10 µm	M90 Wire mesh 90 µm								
A16 Inorganic microfiber 16 µm	P10 Resin impregnated paper 10 µm								
A25 Inorganic microfiber 25 µm	P25 Resin impregnated paper 25 µm								
Element Δp			Filter media						
N 10 bar	Axx	Mxx	Pxx						
H 10 bar		•	•						
W 10 bar, compatible with fluids HFA, HFB and HFC	•	•							
			Seals		Bypass valve		Execution		
			B NBR		E 3 bar		P01 MP Filtri standard		
			V FPM		1.75 bar		Pxx Customized		

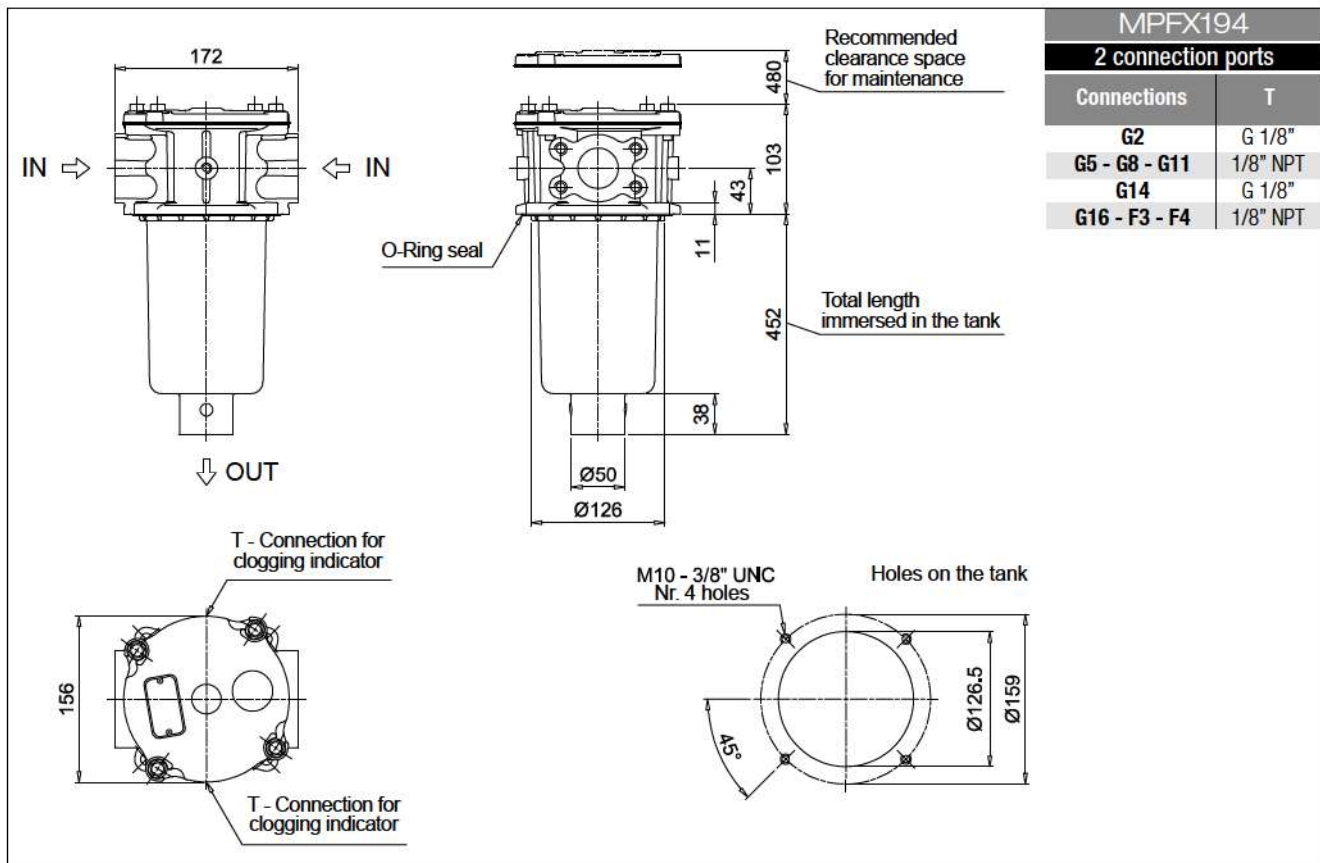
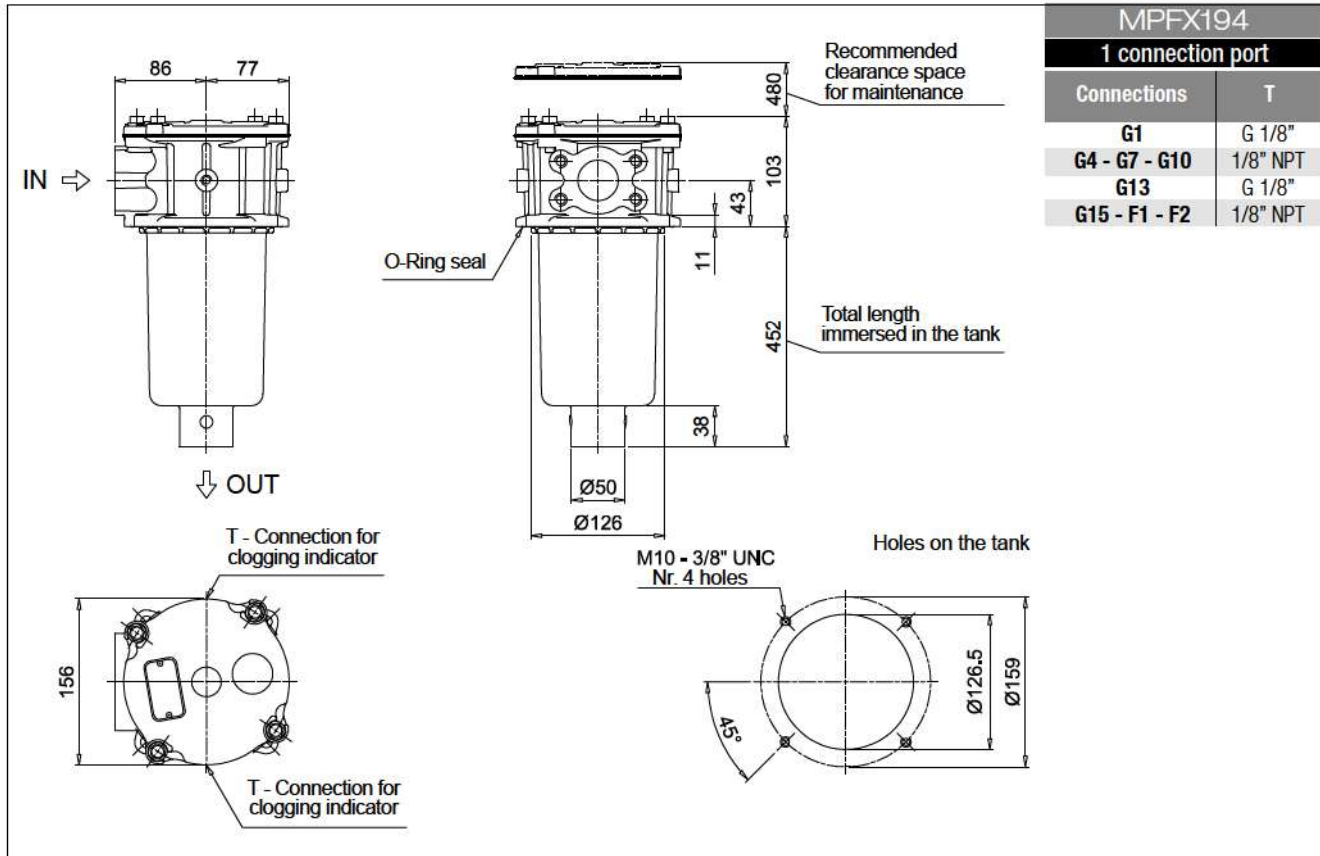
ACCESSORIES

Indicators		page			page
BVA Axial pressure gauge	240		BEA Electrical pressure indicator	239	
BVR Radial pressure gauge	240		BEM Electrical pressure indicator	239	
BVP Visual pressure indicator with automatic reset	241		BLA Electrical / visual pressure indicator	239-240	
BVQ Visual pressure indicator with manual reset	241				
Additional features		page			
TE Extension tube	248				
T5 Filler plug M30x1.5	249				



MPFX MPFX184 - MPFX194

Dimensions



COMPLETE FILTER

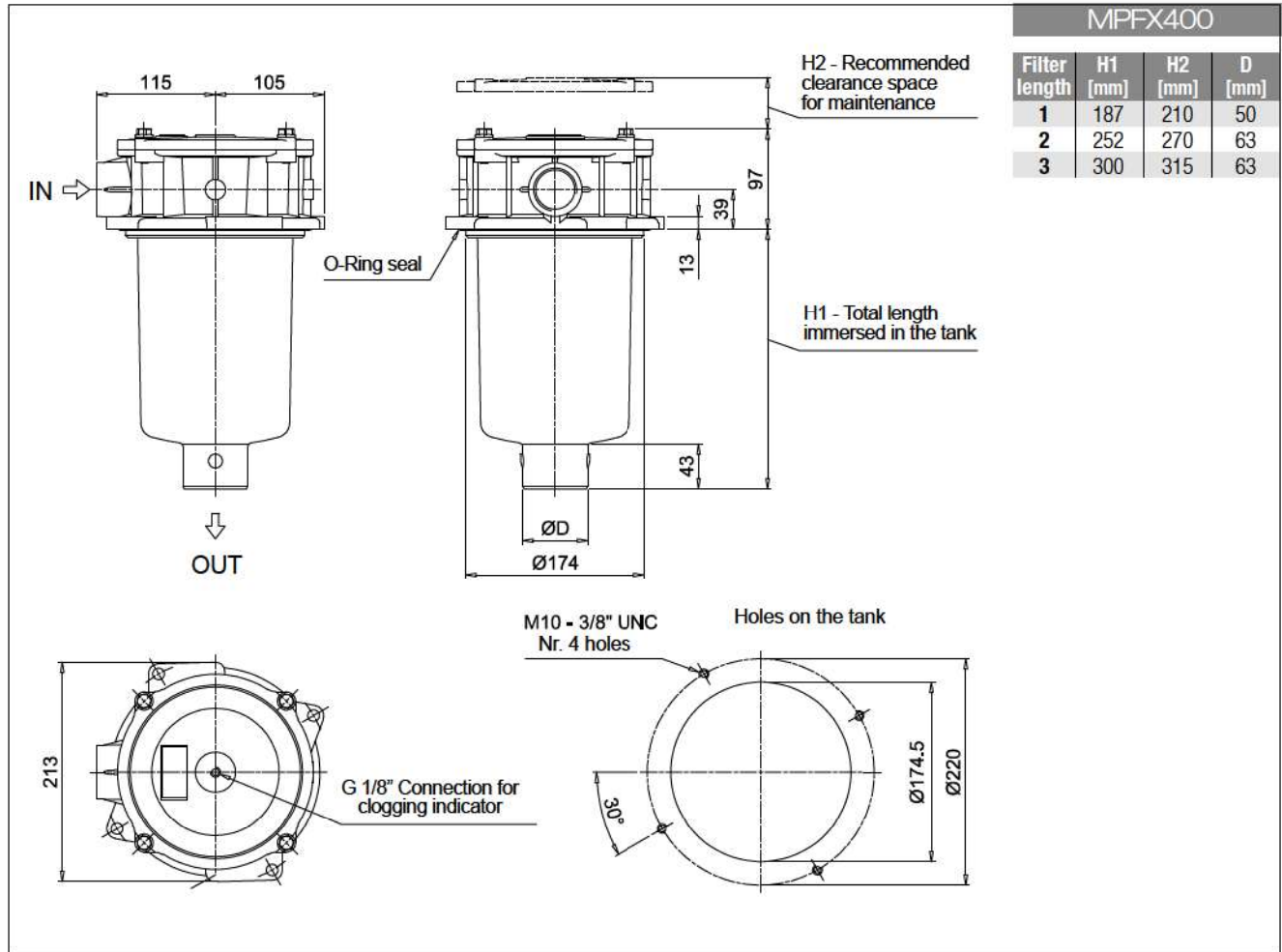
Series and size		Configuration example 1: MPFX400 1 A G9 A25 H B P01							
MPFX400 Filter element with private spigot		Configuration example 2: MPFX400 2 V G4 P10 N E P01							
Length		1 2 3							
Seals and treatments									
A NBR									
V FPM									
W NBR head anodized									
Z FPM head anodized									
Connections									
G1 G 1 1/4"		G6 2" NPT							
G2 G 1 1/2"		G7 SAE 20 - 1 5/8" - 12 UN							
G3 G 2"		G8 SAE 24 - 1 7/8" - 12 UN							
G4 1 1/4" NPT		G9 SAE 32 - 2 1/2" - 12 UN							
G5 1 1/2" NPT									
Filtration rating (filter media)									
A03 Inorganic microfiber 3 µm		M25 Wire mesh 25 µm							
A06 Inorganic microfiber 6 µm		M60 Wire mesh 60 µm							
A10 Inorganic microfiber 10 µm		M90 Wire mesh 90 µm							
A16 Inorganic microfiber 16 µm		P10 Resin impregnated paper 10 µm							
A25 Inorganic microfiber 25 µm		P25 Resin impregnated paper 25 µm							
Element Δp		Filter media							
N 10 bar		Axx		Mxx		Pxx			
H 10 bar		•		•		•			
W 10 bar, compatible with fluids HFA, HFB and HFC		•		•		•			
								Bypass valve	
								E 3 bar	
								B 1.75 bar	
								Execution	
								P01 MP Filtri standard	
								Pxx Customized	

FILTER ELEMENT

Element series and size		Configuration example 1: MFX400 1 A25 H B P01							
MFX400 Filter element with private spigot		Configuration example 2: MFX400 2 P10 N V E P01							
Element length		1 2 3							
Filtration rating (filter media)									
A03 Inorganic microfiber 3 µm		M25 Wire mesh 25 µm							
A06 Inorganic microfiber 6 µm		M60 Wire mesh 60 µm							
A10 Inorganic microfiber 10 µm		M90 Wire mesh 90 µm							
A16 Inorganic microfiber 16 µm		P10 Resin impregnated paper 10 µm							
A25 Inorganic microfiber 25 µm		P25 Resin impregnated paper 25 µm							
Element Δp		Filter media							
N 10 bar		Axx		Mxx		Pxx			
H 10 bar		•		•		•			
W 10 bar, compatible with fluids HFA, HFB and HFC		•		•		•			
								Seals	
								B NBR	
								V FPM	
								Bypass valve	
								E 3 bar	
								1.75 bar	
								Execution	
								P01 MP Filtri standard	
								Pxx Customized	

ACCESSORIES

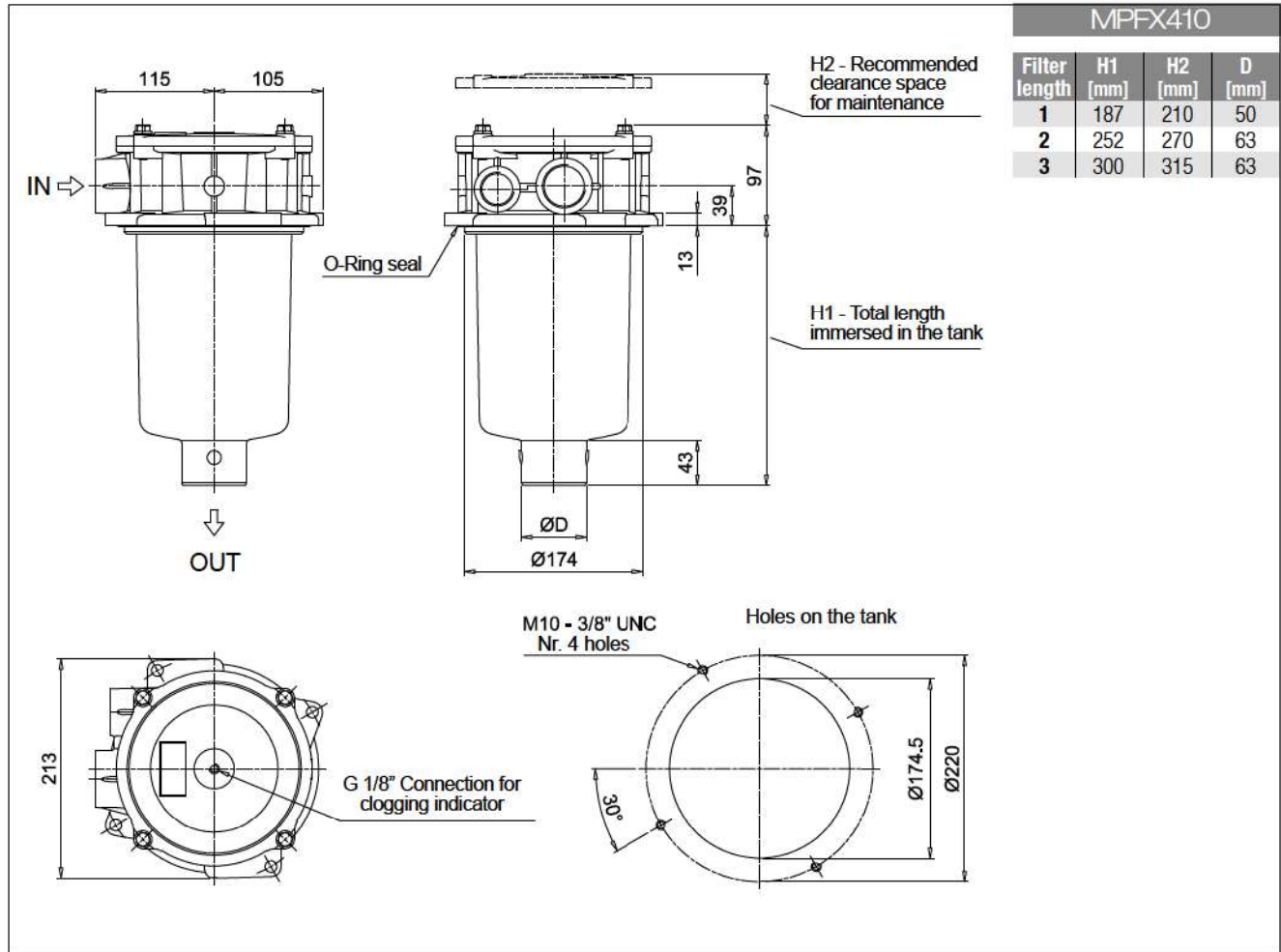
Indicators	page		page
BVA Axial pressure gauge	240	BEA Electrical pressure indicator	239
BVR Radial pressure gauge	240	BEM Electrical pressure indicator	239
BVP Visual pressure indicator with automatic reset	241	BLA Electrical / visual pressure indicator	239-240
BVQ Visual pressure indicator with manual reset	241		
Additional features			
T5 Filler plug M30x1.5	249		



COMPLETE FILTER										
Series and size			Configuration example 1: MPFX410 1 V G4 1 P10 N E P01							
MPFX410 Filter element with private spigot			Configuration example 2: MPFX410 1 A G1 1 A25 H B P01							
Length										
1 2 3										
Seals and treatments										
A NBR										
V FPM										
W NBR head anodized										
Z FPM head anodized										
Main Connections		Aux size 1								
G1 G 1 1/4"		G 1"								
G4 1 1/4" NPT		1" NPT								
G7 SAE 20 - 1 5/8" - 12 UN		SAE 16 - 1 5/16" - 12 UN								
Aux connection - see previous table										
1 Aux size 1										
Filtration rating (filter media)										
A03 Inorganic microfiber 3 µm			M25 Wire mesh 25 µm							
A06 Inorganic microfiber 6 µm			M60 Wire mesh 60 µm							
A10 Inorganic microfiber 10 µm			M90 Wire mesh 90 µm							
A16 Inorganic microfiber 16 µm			P10 Resin impregnated paper 10 µm							
A25 Inorganic microfiber 25 µm			P25 Resin impregnated paper 25 µm							
Element Δp			Filter media							
			Axx Mxx Pxx							
N 10 bar			• • •							
H 10 bar			•							
W 10 bar, compatible with fluids HFA, HFB and HFC			• •							
			Bypass valve		Execution					
			E 3 bar		P01 MP Filtri standard					
			B 1.75 bar		Pxx Customized					

FILTER ELEMENT										
Element series and size			Configuration example 1: MFX400 1 P10 N V E P01							
MFX400 Filter element with private spigot			Configuration example 2: MFX400 1 A25 H B P01							
Element length										
1 2 3										
Filtration rating (filter media)										
A03 Inorganic microfiber 3 µm			M25 Wire mesh 25 µm							
A06 Inorganic microfiber 6 µm			M60 Wire mesh 60 µm							
A10 Inorganic microfiber 10 µm			M90 Wire mesh 90 µm							
A16 Inorganic microfiber 16 µm			P10 Resin impregnated paper 10 µm							
A25 Inorganic microfiber 25 µm			P25 Resin impregnated paper 25 µm							
Element Δp			Filter media							
			Axx Mxx Pxx							
N 10 bar			• • •							
H 10 bar			•							
W 10 bar, compatible with fluids HFA, HFB and HFC			• •							
			Seals		Bypass valve		Execution			
			B NBR		E 3 bar		P01 MP Filtri standard			
			V FPM		1.75 bar		Pxx Customized			

ACCESSORIES			
Indicators		page	page
BVA	Axial pressure gauge	240	BEA Electrical pressure indicator 239
BVR	Radial pressure gauge	240	BEM Electrical pressure indicator 239
BVP	Visual pressure indicator with automatic reset	241	BLA Electrical / visual pressure indicator 239-240
BVQ	Visual pressure indicator with manual reset	241	
Additional features		page	
T5	Filler plug M30x1.5	249	



MPFX MPFX450 - MPFX451 - MPFX750

Designation & Ordering code

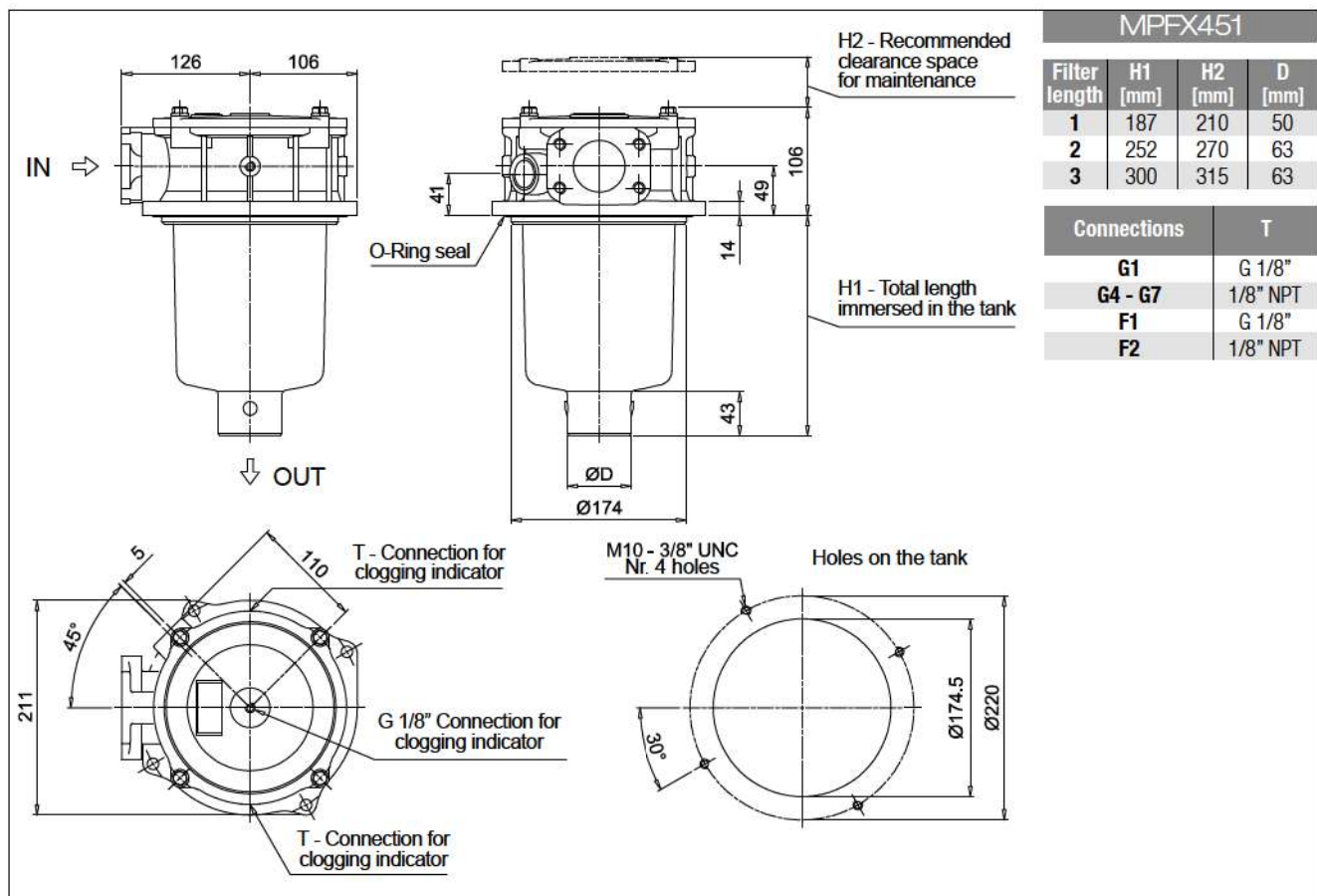
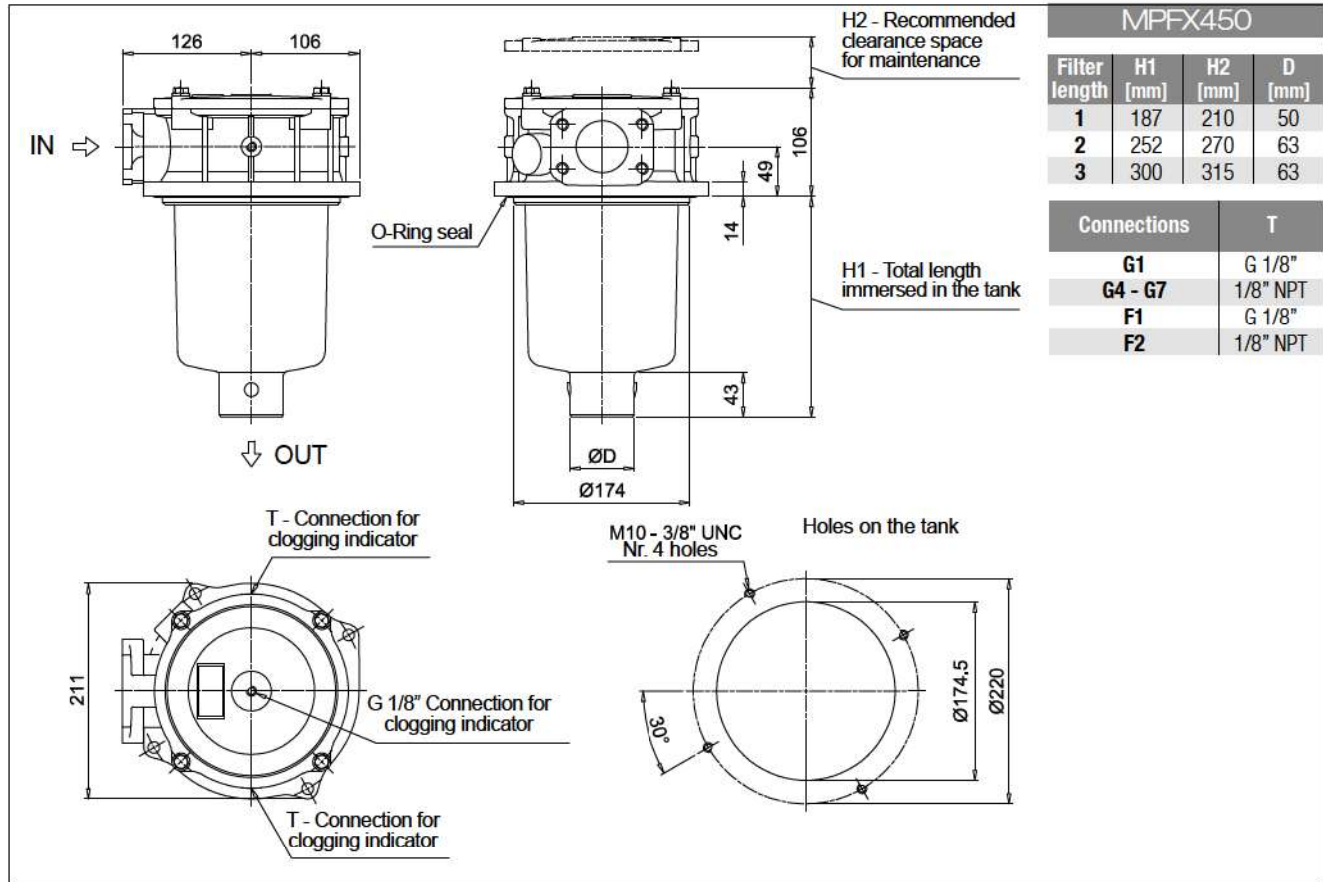
COMPLETE FILTER									
Series and size			Configuration example 1: MPFX450 1 A G1 A25 H B P01						
MPFX450 MPFX451 MPFX750 Filter element with private spigot			Configuration example 2: MPFX750 1 V F2 P10 N E P01						
Length			MPFX 450	MPFX 451	MPFX 750				
1			•	•	•				
2			•	•					
3			•	•					
Seals and treatments									
A	NBR	W	NBR	head anodized					
V	FPM	Z	FPM	head anodized					
Connections			Aux (only size 451)						
G1	G 2"	G 3/4"							
G4	2" NPT	3/4" NPT							
G7	SAE 32 - 2 1/2" - 12 UN	SAE 12 - 1 1/16" - 12 UN							
F1	2" SAE 3000 psi/M	G 3/4"							
F2	2" SAE 3000 psi/UN	3/4" NPT							
Filtration rating (filter media)									
A03	Inorganic microfiber 3 µm	M25	Wire mesh 25 µm						
A06	Inorganic microfiber 6 µm	M60	Wire mesh 60 µm						
A10	Inorganic microfiber 10 µm	M90	Wire mesh 90 µm						
A16	Inorganic microfiber 16 µm	P10	Resin impregnated paper 10 µm						
A25	Inorganic microfiber 25 µm	P25	Resin impregnated paper 25 µm						
Element Δp			Filter media						
N	10 bar	Axx	Mxx	Pxx					
H	10 bar		•	•					
W	10 bar, compatible with fluids HFA, HFB and HFC	•	•						
			Bypass valve		Execution				
			E 3 bar		P01 MP Filtri standard				
			B 1.75 bar		Pxx Customized				

FILTER ELEMENT									
Element series and size			Configuration example 1: MF400 1 A25 H B P01						
MF400 MF750 Filter element with private spigot			Configuration example 2: MF750 1 P10 N V E P01						
Element length			MPFX 450	MPFX 451	MPFX 750				
1			•	•	•				
2			•	•					
3			•	•					
Filtration rating (filter media)									
A03	Inorganic microfiber 3 µm	M25	Wire mesh 25 µm						
A06	Inorganic microfiber 6 µm	M60	Wire mesh 60 µm						
A10	Inorganic microfiber 10 µm	M90	Wire mesh 90 µm						
A16	Inorganic microfiber 16 µm	P10	Resin impregnated paper 10 µm						
A25	Inorganic microfiber 25 µm	P25	Resin impregnated paper 25 µm						
Element Δp			Filter media						
N	10 bar	Axx	Mxx	Pxx					
H	10 bar		•	•					
W	10 bar, compatible with fluids HFA, HFB and HFC	•	•						
			Seals		Bypass valve		Execution		
			B NBR		E 3 bar		P01 MP Filtri standard		
			V FPM		1.75 bar		Pxx Customized		

ACCESSORIES			
Indicators		page	page
BVA	Axial pressure gauge	240	BEA Electrical pressure indicator 239
BVR	Radial pressure gauge	240	BEM Electrical pressure indicator 239
BVP	Visual pressure indicator with automatic reset	241	BLA Electrical / visual pressure indicator 239-240
BVQ	Visual pressure indicator with manual reset	241	
Additional features		page	
T5	Filler plug M30x1.5	249	

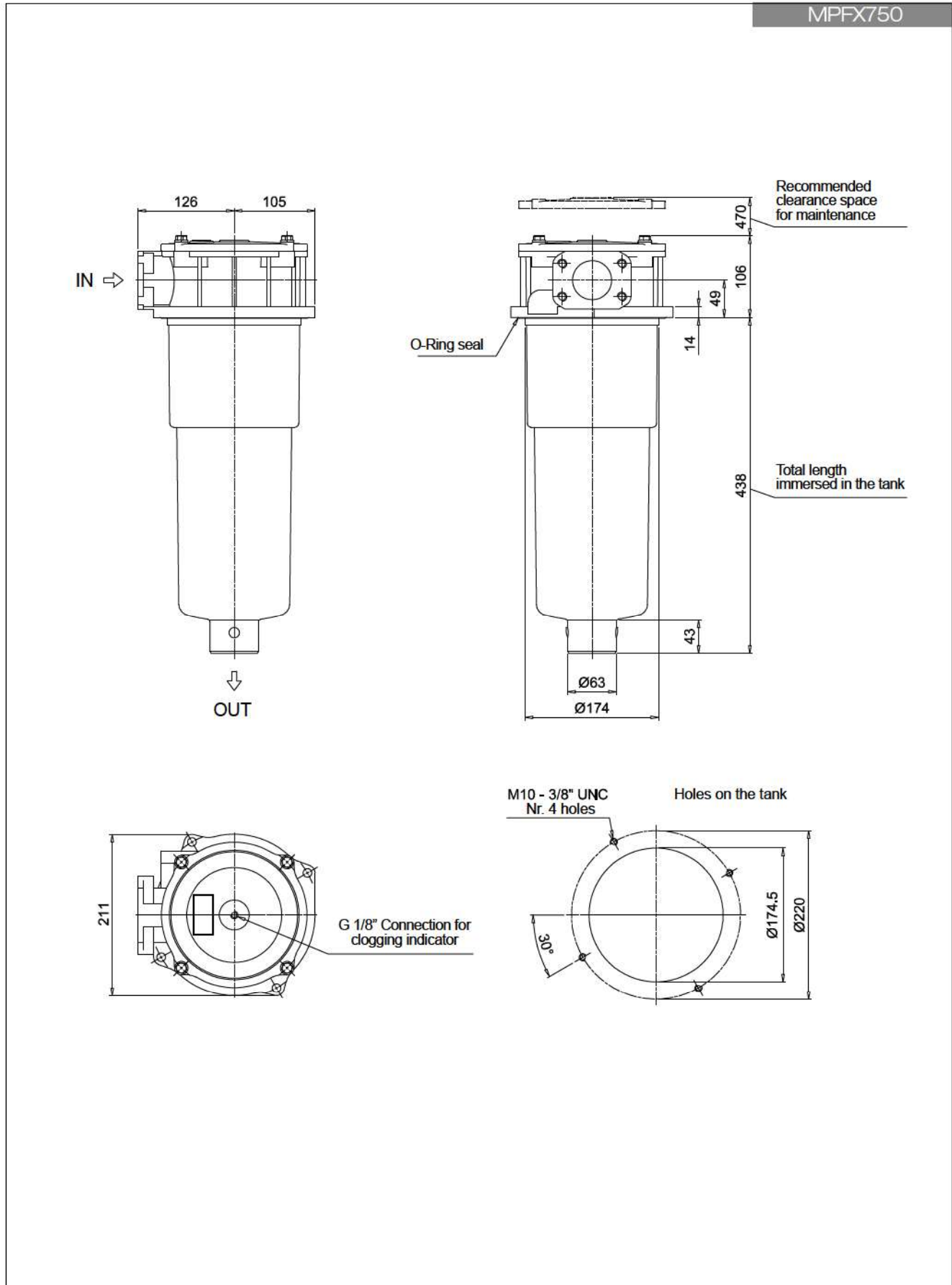
MPFX450 - MPFX451 - MPFX750 MPFX

Dimensions



MPFX MPFX450 - MPFX451 - MPFX750

Dimensions



MPFX 100

MPFX 181

O-RING SEAL			
Item:	Q.ty: 1 pc.	Q.ty: 1 pc.	
	2	3 (3a ÷ 3d)	
Filter series	Filter element	Seal Kit code number	
		NBR	FPM
MPFX 030	See order table	02050675	02050676
MPFX 100-110		02050677	02050678
MPFX 181-182		02050681	02050682
MPFX 184		02050685	02050686
MPFX 191-192		02050683	02050684
MPFX 194		02050687	02050688
MPFX 400-410		02050695	02050696
MPFX 450-451		02050697	02050698
MPFX 750		02050699	02050700

MPFX 104

MPFX 181

FLAT SEAL			
Item:	Q.ty: 1 pc.	Q.ty: 1 pc.	
	2	3 (3a ÷ 3d)	
Filter series	Filter element	Seal Kit code number	
		NBR	FPM
MPFX 104	See order table	02050679	02050680
MPFX 181-182		02050691	02050692
MPFX 191-192		02050691	02050692