

Avviso

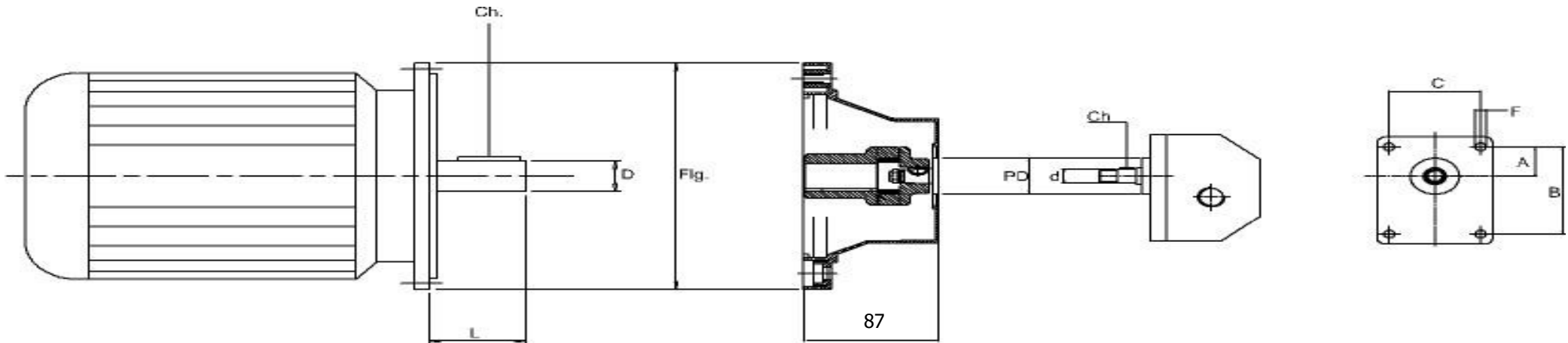
<b>ELECTRIC MOTOR</b>		<b>2 P</b>
kW	Hp	Size
0,75-1,10	1-1,5	80

## COMPLETE COUPLING ARRANGEMENT

<b>GEAR PUMP DATA</b>									
Group	Cent.	A	B	C	Hole	CF	d	FSP	Ch
1P	25,5	26,2	72	52	M6	FS100	9,7	FS100	2,4

Attention: Check overall dimensions of the pump. MP Filtri S.p.A. is not responsible for any change the pump manufacturer apply to the pump design.

<b>Dimension</b>			
L	d	Ch	Flg
40	19	6	200



**Coupling Code**  
**Arrangement Code**

AKG04FS100P  
 AKA04FS100P4E

**Bellhousing Code**

LMC200MFS1004E

**Half Coupling Ordering Code**

SGEA01M03048

EGE 0 GS

SGEA01FS100