



Via Matteotti,2 - 20006 - Pessano con Bornago (Mi) - Italy

Tel (+39) 0295703.1 - Fax (+39) 0295741497 - (+39) 0295740188

<http://www.mpfiltri.com> - email: sales@mpfiltri.com

Avviso

COMPLETE COUPLING ARRANGEMENT

ELECTRIC MOTOR		2 P
kW	Hp	Size
0,37-0,55	0,50-0,75	71
Dimension		
L	d	Ch
30	14	40
		Flg
		160

GEAR PUMP DATA									
Group	Cent.	A	B	C	Hole	CF	d	FSP	Ch
1P	25,5	26,2	72	52	M6	FS100	9,7	FS100	2,4

Attention: Check overall dimensions of the pump. MP Filtri S.p.A. is not responsible for any change the pump manufacturer apply to the pump design.

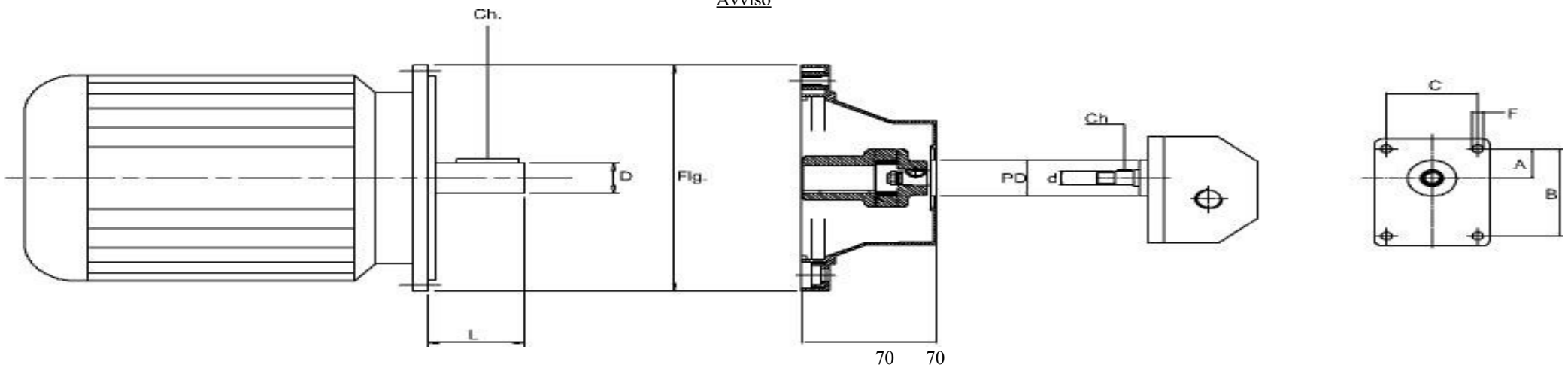


Via Matteotti,2 - 20006 - Pessano con Bornago (Mi) - Italy

Tel (+39) 0295703.1 - Fax (+39) 0295741497 - (+39) 0295740188

<http://www.mpfiltri.com> - email: sales@mpfiltri.com

Avviso



***Coupling Code
Arrangement Code***

AKG03FS100M
AKA03FS100M4E

Bellhousing Code
LMC160MFS1004E

Half Coupling Ordering Code
SGEA01M02028

EGE 0 GS



Via Matteotti,2 - 20006 - Pessano con Bornago (Mi) - Italy

Tel (+39) 0295703.1 - Fax (+39) 0295741497 - (+39) 0295740188

<http://www.mpfiltri.com> - email: sales@mpfiltri.com

Avviso

SGEA01FS100