

Avviso

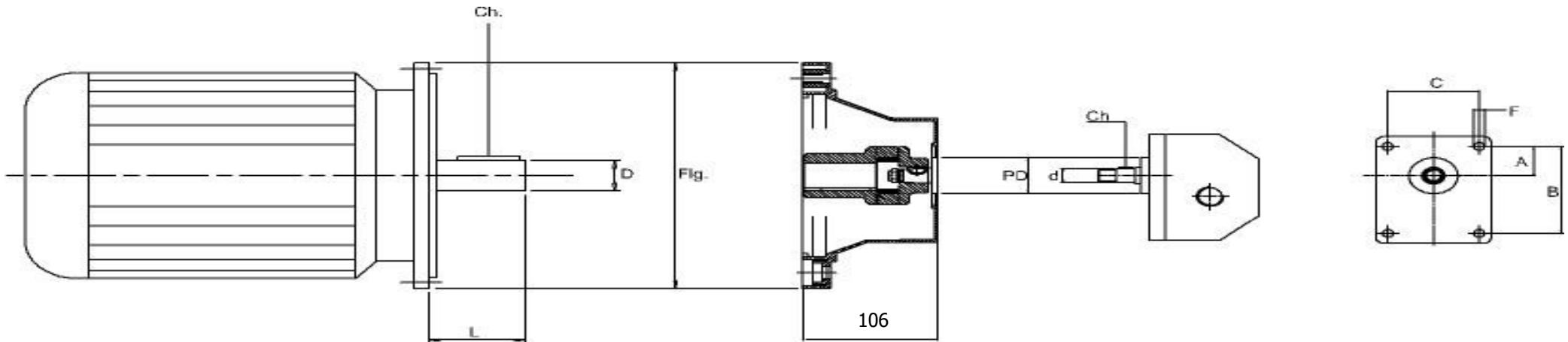
ELECTRIC MOTOR		4 P
kW	Hp	Size
2,2-4	3-5,44	100-112

COMPLETE COUPLING ARRANGEMENT

GEAR PUMP DATA									
Group	Cent.	A	B	C	Hole	CF	d	FSP	Ch
2	36,5	32,5	96	71,5	M8	FS200	17,2	FS200	3,2

Attention: Check overall dimensions of the pump. MP Filtri S.p.A. is not responsible for any change the pump manufacturer apply to the pump design.

Dimension			
L	d	Ch	Flg
60	28	8	250



Coupling Code
Arrangement Code

AKG07FS200P
 AKA07FS200P4E

Bellhousing Code

LMC250MFS2004E

Half Coupling Ordering Code

SGEA21M05055

EGE 2 GS

SGEA21FS200