

Avviso

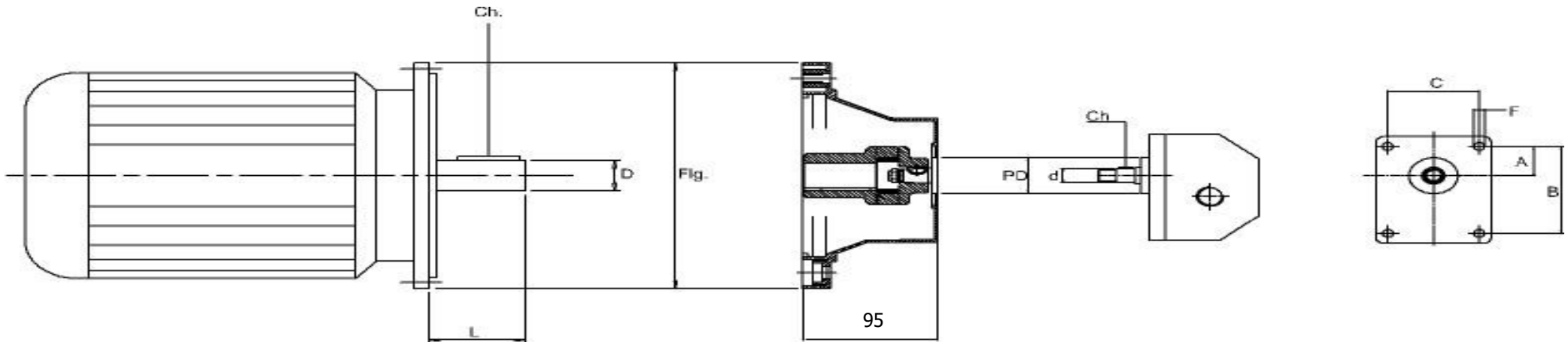
<b>ELECTRIC MOTOR</b>	<b>4</b>	<b>P</b>
<b>kW</b>	<b>Hp</b>	<b>Size</b>
1,1-1,5	1,5-2	90

## COMPLETE COUPLING ARRANGEMENT

<b>GEAR PUMP DATA</b>									
Group	Cent.	A	B	C	Hole	CF	d	FSP	Ch
2	36,5	32,5	96	71,5	M8	FS200	17,2	FS200	3,2

<b>Dimension</b>			
L	d	Ch	Flg
50	24	8	200

Attention: Check overall dimensions of the pump. MP Filtri S.p.A. is not responsible for any change the pump manufacturer apply to the pump design.



**Coupling Code**  
**Arrangement Code**

AKG05FS200M  
 AKA05FS200M4E

**Bellhousing Code**

LMC201MFS2004E

**Half Coupling Ordering Code**

SGEA21M04048

EGE 2 GS

SGEA21FS200