

# FMP 039 series

Maximum working pressure up to 11 MPa (110 bar) - Flow rate up to 80 l/min



# FILTER SIZING

## INDEX

	Page
CALCULATION	23
CORRECTIVE FACTOR	24

**THE CORRECT FILTER SIZING HAVE TO BE BASED ON THE TOTAL PRESSURE DROP DEPENDING BY THE APPLICATION.**

FOR EXAMPLE, THE MAXIMUM TOTAL PRESSURE DROP ALLOWED BY A NEW AND CLEAN RETURN FILTER HAVE TO BE IN THE RANGE 0.4 ÷ 0.6 bar.

The pressure drop calculation is performed by adding together the value of the housing with the value of the filter element. The pressure drop  $\Delta pc$  of the housing is proportional to the fluid density ( $\text{kg}/\text{dm}^3$ ); all the graphs in the catalogue are referred to mineral oil with density of  $0.86 \text{ kg}/\text{dm}^3$ .

The filter element pressure drop  $\Delta pe$  is proportional to its viscosity ( $\text{mm}^2/\text{s}$ ), the corrective factor Y have to be used in case of an oil viscosity different than  $30 \text{ mm}^2/\text{s}$  (cSt).

**Sizing data for single filter element, head at top**

$\Delta pc$  = Filter housing pressure drop [bar]

$\Delta pe$  = Filter element pressure drop [bar]

Y = Corrective factor Y (see correspondent table), depending on the filter type, on the filter element size, on the filter element length and on the filter media

Q = flow rate (l/min)

V1 reference oil viscosity =  $30 \text{ mm}^2/\text{s}$  (cSt)

V2 = operating oil viscosity in  $\text{mm}^2/\text{s}$  (cSt)

**Filter element pressure drop calculation with an oil viscosity different than  $30 \text{ mm}^2/\text{s}$  (cSt)**

$\Delta pe = Y : 1000 \times Q \times (V2:V1)$

$\Delta p \text{ Tot.} = \Delta pc + \Delta pe$

**Verification formula**

$\Delta p \text{ Tot.} \leq \Delta p \text{ max allowed}$

**Maximum total pressure drop ( $\Delta p \text{ max}$ ) allowed by a new and clean filter**

Application	Range (bar)
Suction filters	0.08 ÷ 0.10
Return filters	0.4 ÷ 0.6
	0.4 ÷ 0.6 return lines
	0.3 ÷ 0.5 lubrication lines
Low & Medium Pressure filters	0.3 ÷ 0.4 off-line in power systems
	0.1 ÷ 0.3 off-line in test benches
	0.4 ÷ 0.6 over-boost
High Pressure filters	0.8 ÷ 1.5
Stainless Steel filters	0.8 ÷ 1.5

**Generic filter calculation example**

Application data:

Tank top return filter

Pressure Pmax = 10 bar

Flow rate Q = 120 l/min

Viscosity V2 =  $46 \text{ mm}^2/\text{s}$  (cSt)

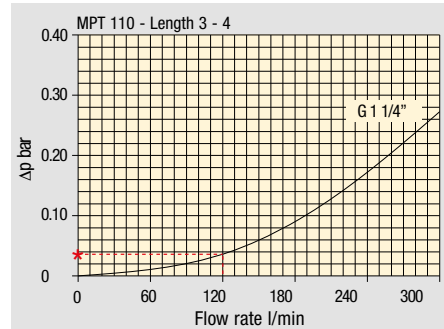
Oil density =  $0.86 \text{ kg}/\text{dm}^3$

Required filtration efficiency =  $25 \mu\text{m}$  with absolute filtration

With bypass valve and G 1 1/4" inlet connection

Calculation:

$\Delta pc = 0.03 \text{ bar}$  (see graphic below)



Filter housings  $\Delta p$  pressure drop. The curves are plotted using mineral oil with density of  $0.86 \text{ kg}/\text{dm}^3$  in compliance with ISO 3968.  $\Delta p$  varies proportionally with density.

$\Delta pe = (2.00 : 1000) \times 120 \times (46 : 30) = 0.37 \text{ bar}$

Filter element	Absolute filtration H Series					Nominal filtration N Series		
	A03	A06	A10	A16	A25	P10	P25	M25 M60 M90
Type								
Return filters								
MF 020	74.00	50.08	20.00	16.00	9.00	6.43	5.51	4.40
	2	29.20	24.12	8.00	7.22	5.00	3.33	2.85
	3	22.00	19.00	6.56	5.33	4.33	1.68	1.44
MF 030 MFX 030	74.00	50.08	20.00	16.00	9.00	6.43	5.51	3.40
	1	28.20	24.40	8.67	8.17	6.88	4.62	3.96
	2	17.33	12.50	6.86	5.70	4.00	3.05	2.47
MF 100 MFX 100	10.25	9.00	3.65	3.33	2.50	1.63	1.32	0.96
	4	6.10	5.40	2.30	2.20	2.00	1.19	0.96

$\Delta p \text{ Tot.} = 0.03 + 0.37 = 0.4 \text{ bar}$

The selection is correct because the total pressure drop value is inside the admissible range for top tank return filters.

In case the allowed max total pressure drop is not verified, it is necessary to repeat the calculation changing the filter length/size.

# FILTER SIZING Corrective factor

Corrective factor Y to be used for the filter element pressure drop calculation. The values depend to the filter size and length and to the filter media.  
Reference oil viscosity 30 mm<sup>2</sup>/s

## Return filters

Filter element	Absolute filtration H Series					Nominal filtration N Series			
	Type	A03	A06	A10	A16	A25	P10	P25	M25 M60 M90
MF 020	1	74.00	50.08	20.00	16.00	9.00	6.43	5.51	4.40
	2	29.20	24.12	8.00	7.22	5.00	3.33	2.85	2.00
	3	22.00	19.00	6.56	5.33	4.33	1.68	1.44	1.30
MF 030 MFX 030	1	74.00	50.08	20.00	16.00	9.00	6.43	5.51	3.40
MF 100 MFX 100	1	28.20	24.40	8.67	8.17	6.88	4.62	3.96	1.25
	2	17.33	12.50	6.86	5.70	4.00	3.05	2.47	1.10
	3	10.25	9.00	3.65	3.33	2.50	1.63	1.32	0.96
	4	6.10	5.40	2.30	2.20	2.00	1.19	0.96	0.82
MF 180 MFX 180	1	3.67	3.05	1.64	1.56	1.24	1.18	1.06	0.26
	2	1.69	1.37	0.68	0.54	0.51	0.43	0.39	0.12
MF 190 MFX 190	2	1.69	1.37	0.60	0.49	0.44	0.35	0.31	0.11
MF 400 MFX 400	1	3.20	2.75	1.39	1.33	1.06	0.96	0.87	0.22
	2	2.00	1.87	0.88	0.85	0.55	0.49	0.45	0.13
	3	1.90	1.60	0.63	0.51	0.49	0.39	0.35	0.11
MF 750 MFX 750	1	1.08	0.84	0.49	0.36	0.26	0.21	0.19	0.06
MLX 250	2	3.00	3.04	1.46	1.25	1.17	-	-	M25 0.20
MLX 660	2	1.29	1.26	0.52	0.44	0.38	-	-	M25 0.10
CU 025		78.00	48.00	28.00	24.00	9.33	9.33	8.51	1.25
CU 040		25.88	20.88	10.44	10.00	3.78	3.78	3.30	1.25
CU 100		15.20	14.53	5.14	4.95	2.00	2.00	0.17	1.10
CU 250		3.25	2.55	1.55	1.35	0.71	0.71	0.59	0.25
CU 630		1.96	1.68	0.85	0.72	0.42	0.42	0.36	0.09
CU 850		1.06	0.84	0.42	0.33	0.17	0.17	0.13	0.04
MR 100	1	19.00	17.00	6.90	6.30	4.60	2.94	2.52	1.60
	2	11.70	10.80	4.40	4.30	3.00	2.94	2.52	1.37
	3	7.80	6.87	3.70	3.10	2.70	2.14	1.84	1.34
	4	5.50	4.97	2.60	2.40	2.18	1.72	1.47	1.34
	5	4.20	3.84	2.36	2.15	1.90	1.60	1.37	1.34
MR 250	1	5.35	4.85	2.32	1.92	1.50	1.38	1.20	0.15
	2	4.00	3.28	1.44	1.10	1.07	0.96	0.83	0.13
	3	2.60	2.20	1.08	1.00	0.86	0.77	0.64	0.12
	4	1.84	1.56	0.68	0.56	0.44	0.37	0.23	0.11
MR 630	1	3.10	2.48	1.32	1.14	0.92	0.83	0.73	0.09
	2	2.06	1.92	0.82	0.76	0.38	0.33	0.27	0.08
	3	1.48	1.30	0.60	0.56	0.26	0.22	0.17	0.08
	4	1.30	1.20	0.48	0.40	0.25	0.21	0.16	0.08
	5	0.74	0.65	0.30	0.28	0.13	0.10	0.08	0.04
MR 850	1	0.60	0.43	0.34	0.25	0.13	0.12	0.09	0.03
	2	0.37	0.26	0.23	0.21	0.11	0.08	0.07	0.03
	3	0.27	0.18	0.17	0.17	0.05	0.04	0.04	0.02
	4	0.23	0.16	0.13	0.12	0.04	0.03	0.03	0.02

## Return / Suction filters

Filter element	Absolute filtration			
	Type	A10	A16	A25
RSX 116	1	5.12	4.33	3.85
	2	2.22	1.87	1.22
RSX 165	1	2.06	1.75	1.46
	2	1.24	1.05	0.96
	3	0.94	0.86	0.61

Filter element	Absolute filtration N Series								
	Type	A03	A06	A10	A16	A25	P10	P25	M25 M60 M90
CU 110	1	16.25	15.16	8.75	8.14	5.87	2.86	2.65	0.14
	2	12.62	10.44	6.11	6.02	4.16	1.60	1.49	0.12
	3	8.57	7.95	5.07	4.07	2.40	1.24	1.15	0.11
	4	5.76	4.05	2.80	2.36	1.14	0.91	0.85	0.05

## Low & Medium pressure filters

Filter element	Absolute filtration N-W Series					Nominal filtration N Series			
	Type	A03	A06	A10	A16	A25	P10	P25	M25
CU 110	1	16.25	15.16	8.75	8.14	5.87	2.86	2.65	0.14
	2	12.62	10.44	6.11	6.02	4.15	1.60	1.49	0.12
	3	8.57	7.95	5.07	4.07	2.40	1.24	1.15	0.11
	4	5.76	4.05	2.80	2.36	1.14	0.91	0.85	0.05
CU 210	1	5.30	4.80	2.00	1.66	1.32	0.56	0.43	0.12
	2	3.44	2.95	1.24	1.09	0.70	0.42	0.35	0.09
	3	2.40	1.70	0.94	0.84	0.54	0.33	0.23	0.05
DN	016	7.95	7.20	3.00	2.49	1.98	0.84	0.65	0.18
	025	5.00	4.53	1.89	1.57	1.25	0.53	0.41	0.11
	040	3.13	2.66	1.12	0.98	0.63	0.38	0.32	0.08
CU 400	2	3.13	2.55	1.46	1.22	0.78	0.75	0.64	0.19
	3	2.15	1.70	0.94	0.78	0.50	0.40	0.34	0.10
	4	1.60	1.28	0.71	0.61	0.40	0.34	0.27	0.08
	5	1.00	0.83	0.47	0.34	0.20	0.24	0.19	0.06
	6	0.82	0.58	0.30	0.27	0.17	0.22	0.18	0.05
	CU 900	1	0.86	0.63	0.32	0.30	0.21	-	-
CU 950	2	1.03	0.80	0.59	0.40	0.26	-	-	0.05
	3	0.44	0.40	0.27	0.18	0.15	-	-	0.02
MR 630	7	0.88	0.78	0.36	0.34	0.16	0.12	0.96	0.47

**Corrective factor Y to be used for the filter element pressure drop calculation. The values depend to the filter size and length and to the filter media.**  
Reference oil viscosity 30 mm<sup>2</sup>/s

## High pressure filters

Filter element		Absolute filtration N - R Series					Nominal filtration N Series
Type		A03	A06	A10	A16	A25	M25
HP 011	1	332.71	250.07	184.32	152.36	128.36	-
	2	220.28	165.56	74.08	59.13	37.05	-
	3	123.24	92.68	41.48	33.08	20.72	-
	4	77.76	58.52	28.37	22.67	16.17	-
HP 039	2	70.66	53.20	25.77	20.57	14.67	4.90
	3	36.57	32.28	18.00	13.38	8.00	2.90
	4	26.57	23.27	12.46	8.80	5.58	2.20
HP 050	1	31.75	30.30	13.16	12.3	7.29	1.60
	2	24.25	21.26	11.70	9.09	4.90	1.40
	3	17.37	16.25	8.90	7.18	3.63	1.25
	4	12.12	10.75	6.10	5.75	3.08	1.07
	5	7.00	6.56	3.60	3.10	2.25	0.80
HP 065	1	58.50	43.46	23.16	19.66	10.71	1.28
	2	42.60	25.64	16.22	13.88	7.32	1.11
	3	20.50	15.88	8.18	6.81	3.91	0.58
HP 135	1	20.33	18.80	9.71	8.66	4.78	2.78
	2	11.14	10.16	6.60	6.38	2.22	1.11
	3	6.48	6.33	3.38	3.16	2.14	1.01
HP 150	1	17.53	15.91	7.48	6.96	5.94	1.07
	2	8.60	8.37	3.54	3.38	3.15	0.58
	3	6.53	5.90	2.93	2.79	2.12	0.49
HP 320	1	10.88	9.73	5.02	3.73	2.54	1.04
	2	4.40	3.83	1.75	1.48	0.88	0.71
	3	2.75	2.11	1.05	0.87	0.77	0.61
	4	2.12	1.77	0.98	0.78	0.55	0.47
HP 500	1	4.44	3.67	2.30	2.10	1.65	0.15
	2	3.37	2.77	1.78	1.68	1.24	0.10
	3	2.22	1.98	1.11	1.09	0.75	0.08
	4	1.81	1.33	0.93	0.86	0.68	0.05
	5	1.33	1.15	0.77	0.68	0.48	0.04

Filter element		Absolute filtration N Series					Nominal filtration N Series
Type		A03	A06	A10	A16	A25	M25
HF 320	1	3.65	2.95	2.80	1.80	0.90	0.38
	2	2.03	1.73	1.61	1.35	0.85	0.36
	3	1.84	1.42	1.32	1.22	0.80	0.35

## Suction filters

Filter element	Nominal filtration N Series	
Type	P10	P25
SF 250	65	21

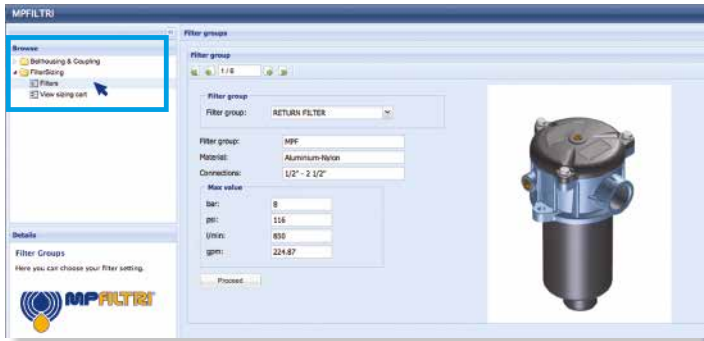
## Stainless steel high pressure filters

Filter element		Absolute filtration N Series				
Type		A03	A06	A10	A16	A25
HP 011	1	332.71	250.07	184.32	152.36	128.36
	2	220.28	165.56	74.08	59.13	37.05
	3	123.24	92.68	41.48	33.08	20.72
	4	77.76	58.52	28.37	22.67	16.17
HP 039	2	70.66	53.20	25.77	20.57	14.67
	3	36.57	32.28	18.00	13.38	8.00
	4	26.57	23.27	12.46	8.80	5.58
HP 050	1	31.75	30.30	13.16	12.3	7.29
	2	24.25	21.26	11.70	9.09	4.90
	3	17.37	16.25	8.90	7.18	3.63
	4	12.12	10.75	6.10	5.75	3.08
	5	7.00	6.56	3.60	3.10	2.25
HP 135	1	20.33	18.80	9.71	8.66	4.78
	2	11.14	10.16	6.60	6.38	2.22
	3	6.48	6.33	3.38	3.16	2.14

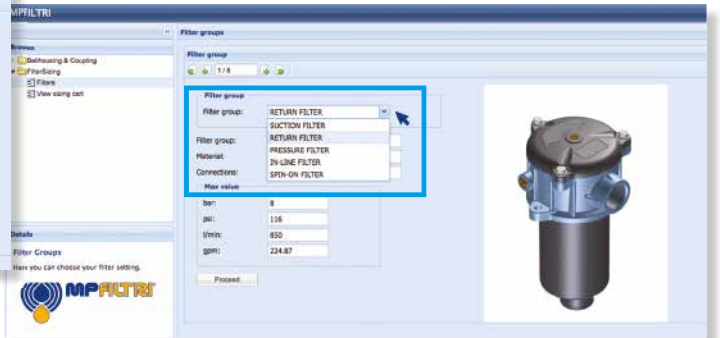
Filter element		Absolute filtration H - U Series				
Type		A03	A06	A10	A16	A25
HP 011	1	424.58	319.74	235.17	194.44	163.78
	2	281.06	211.25	94.53	75.45	47.26
	3	130.14	97.50	43.63	34.82	21.81
	4	109.39	82.25	36.79	29.37	18.40
HP 039	2	73.00	57.00	28.00	24.00	17.20
	3	40.90	36.33	21.88	18.80	11.20
	4	31.50	28.22	17.22	9.30	6.70
HP 050	1	47.33	34.25	21.50	20.50	14.71
	2	29.10	25.95	14.04	10.90	5.88
	3	20.85	19.50	10.68	8.61	4.36
	4	14.55	12.90	7.32	6.90	3.69
	5	9.86	9.34	6.40	4.80	2.50
HP 135	1	29.16	25.33	13.00	12.47	5.92
	2	14.28	11.04	7.86	7.60	4.44
	3	8.96	7.46	4.89	4.16	3.07

# FILTER SIZING Selection Software

## Step 1 Select "FILTERS"



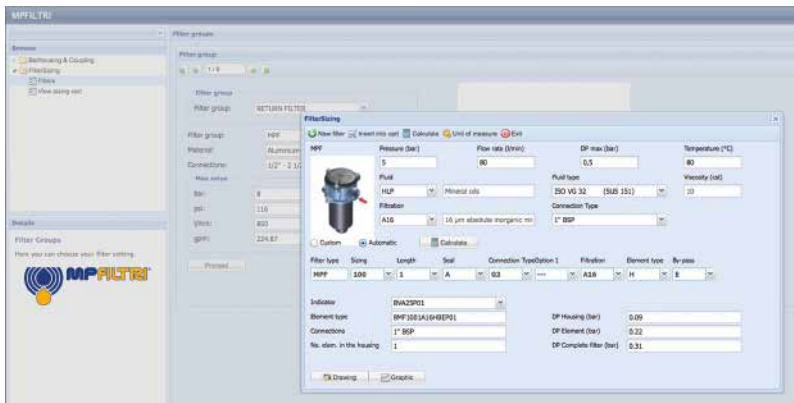
## Step 2 Choose filter group (Return Filter, Pressure Filter, etc.)



## Step 3 Choose filter type (MPF, MPT, etc.) in function of the max working pressure and the max flow rate



## Step 4 Push "PROCEED"



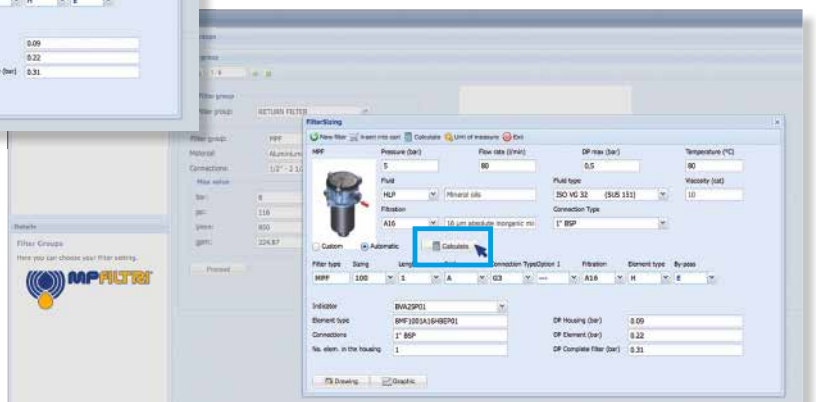
## Step 5

Insert all application data to calculate the filter size following the sequence:


- working pressure
- working flow rate
- working pressure drop
- working temperature
- fluid material and fluid type
- filtration media
- connection type

## Step 6

Push "CALCULATE" to have result; in case of any mistake, the system will advice which parameter is out of range to allow to modify/adjust the selection



## Step 7

Download PDF  Datasheet "Report.aspx" pushing the button "Drawing"

# FMP 039 series

Maximum working pressure up to 11 MPa (110 bar) - Flow rate up to 80 l/min



# FMP 039 GENERAL INFORMATION

## Description

## Technical data

### High Pressure filters

#### In-line

**Maximum working pressure up to 11 MPa (110 bar)**

**Flow rate up to 80 l/min**

FMP039 is a range of versatile medium pressure filter for transmission, protection of sensitive components in medium pressure hydraulic systems and filtration of the coolant into the machine tools.

They are directly connected to the lines of the system through the hydraulic fittings.

#### Available features:

- 1/2" female threaded connections, for a maximum flow rate of 80 l/min
- Fine filtration rating, to get a good cleanliness level into the system
- Bypass valve, to relieve excessive pressure drop across the filter media
- Low collapse filter element "N", for use with filters provided with bypass valve
- Visual, electrical and electronic differential clogging indicators

#### Common applications:

Delivery lines, in any medium pressure industrial equipment or mobile machines

#### Filter housing materials

- Head: Anodized aluminium
- Housing: Anodized aluminium
- Bypass valve: Steel

#### Pressure

- Test pressure: 17 MPa (170 bar)
- Burst pressure: 33 MPa (330 bar)
- Pulse pressure fatigue test: 1 000 000 cycles with pressure from 0 to 11 MPa (110 bar)

#### Bypass valve

- Opening pressure 600 kPa (6 bar)  $\pm$ 10%
- Other opening pressures on request.

#### $\Delta p$ element type

- Microfibre filter elements - series N: 20 bar
- Wire mesh filter elements - series N: 20 bar
- Fluid flow through the filter element from OUT to IN.

#### Seals

- Standard NBR series A
- Optional FPM series V

#### Temperature

From -25 °C to +110 °C

#### Connections

In-line Inlet/Outlet

#### Note

FMP 039 filters are provided for vertical mounting



## Weights [kg] and volumes [dm<sup>3</sup>]

Filter series	Weights [kg]				Volumes [dm <sup>3</sup> ]			
	Length	2	3	4	Length	2	3	4
<b>FMP 039</b>		0.60	0.70	0.80		0.19	0.26	0.34

## Executions

**Execution 1:**  
without indicator connection

**Execution 6:**  
double indicator connection (A - B)

**A:**  
Closure cap with standard T2 steel. The position of the cap is reversible.

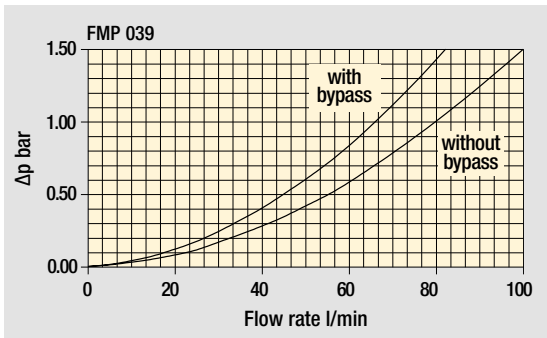
**B:**  
Standard closure cap with plastic thread protection. If necessary, a second T2 plug is available, see ordering information.

---

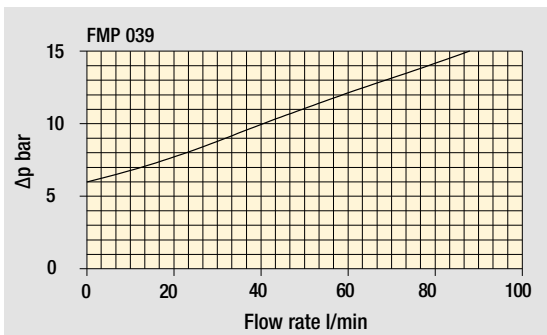
Special connections on request



Filter housings  $\Delta p$  pressure drop



Bypass valve pressure drop



The curves are plotted using mineral oil with density of 0.86 kg/dm<sup>3</sup> in compliance with ISO 3968.  $\Delta p$  varies proportionally with density.

Flow rates [l/min]

Filter series	Length	Filter element design - N Series					
		A03	A06	A10	A16	A25	M25
<b>FMP 039</b>	<b>2</b>	20	26	45	52	61	97
	<b>3</b>	35	39	56	64	76	98
	<b>4</b>	44	48	66	71	82	92

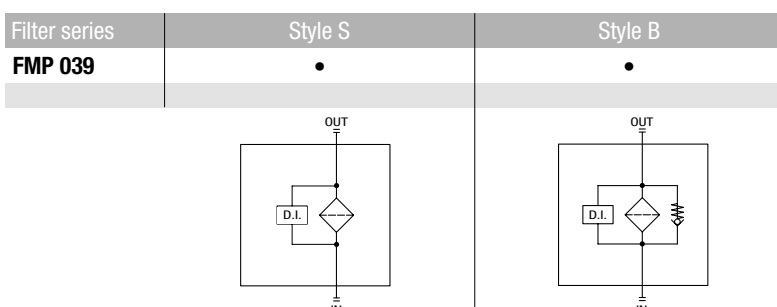
### Maximum flow rate for a complete pressure filter with a pressure drop $\Delta p = 1.5$ bar.

The reference fluid has a kinematic viscosity of 30 mm<sup>2</sup>/s (cSt) and a density of 0.86 kg/dm<sup>3</sup>.

For different pressure drop or fluid viscosity we recommend to use our selection software available on [www.mpfiltri.com](http://www.mpfiltri.com).

Please, contact our Sales Department for further additional information.

Hydraulic symbols



# FMP 039

## Designation & Ordering code

### COMPLETE FILTER

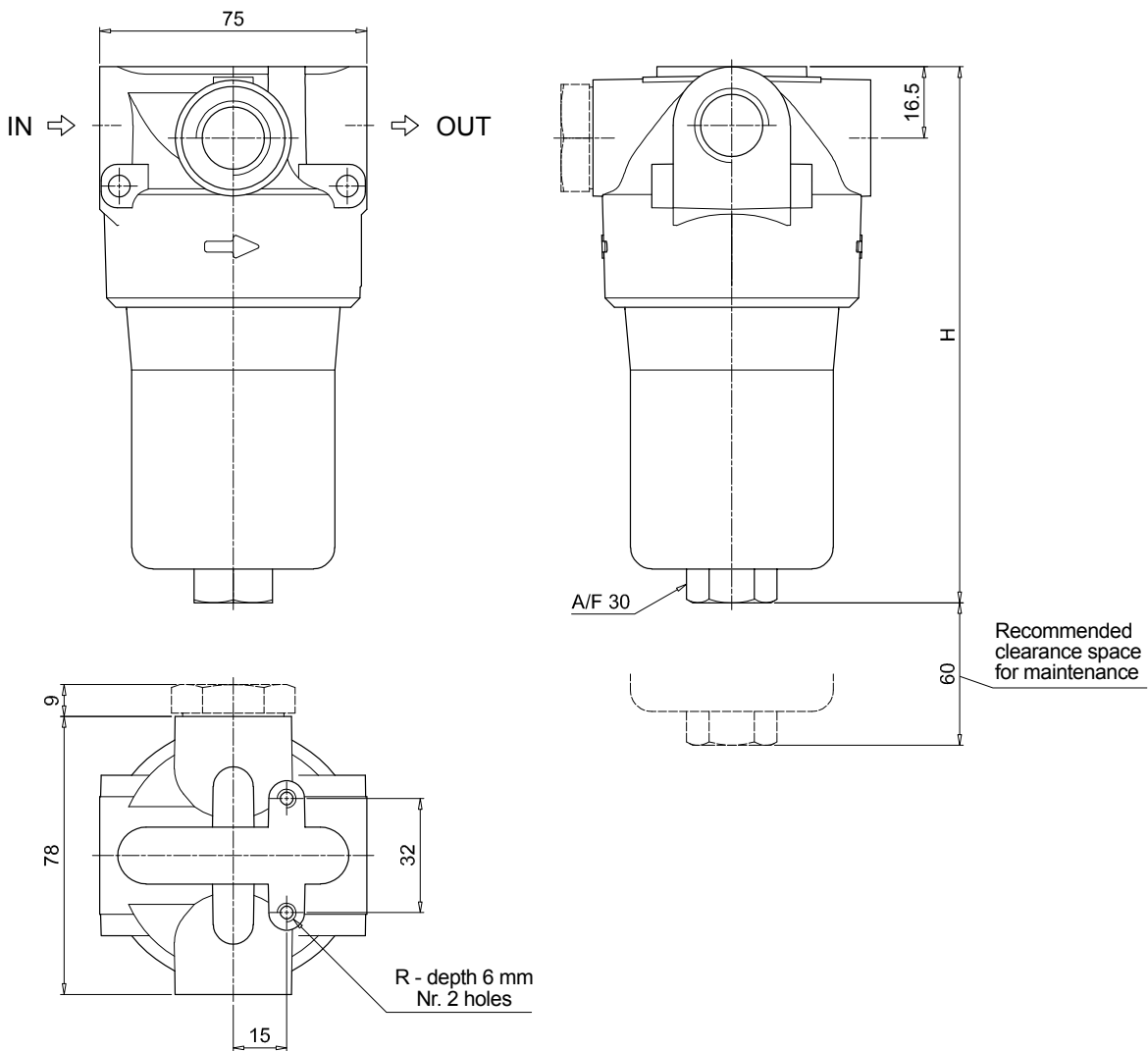
<b>Series and size</b>	Configuration example: <b>FMP039</b>   <b>3</b>   <b>B</b>   <b>A</b>   <b>B</b>   <b>6</b>   <b>A03</b>   <b>N</b>   <b>P01</b>															
<b>FMP039</b>																
<b>Length</b>	2   3   4															
<b>Valves</b>	S Without bypass B 6 bar															
<b>Seals</b>	A NBR V FPM															
<b>Connections</b>	A G 1/2" B 1/2" NPT C SAE 8 - 3/4" - 16 UNF															
<b>Connection for differential indicator</b>	1 Without 6 With two connections on both sides															
<b>Filtration rating (filter media)</b>	<table border="0"> <tr> <td><b>A03</b> Inorganic microfiber 3 µm</td> <td><b>A16</b> Inorganic microfiber 16 µm</td> </tr> <tr> <td><b>A06</b> Inorganic microfiber 6 µm</td> <td><b>A25</b> Inorganic microfiber 25 µm</td> </tr> <tr> <td><b>A10</b> Inorganic microfiber 10 µm</td> <td><b>M25</b> Wire mesh 25 µm</td> </tr> </table>										<b>A03</b> Inorganic microfiber 3 µm	<b>A16</b> Inorganic microfiber 16 µm	<b>A06</b> Inorganic microfiber 6 µm	<b>A25</b> Inorganic microfiber 25 µm	<b>A10</b> Inorganic microfiber 10 µm	<b>M25</b> Wire mesh 25 µm
<b>A03</b> Inorganic microfiber 3 µm	<b>A16</b> Inorganic microfiber 16 µm															
<b>A06</b> Inorganic microfiber 6 µm	<b>A25</b> Inorganic microfiber 25 µm															
<b>A10</b> Inorganic microfiber 10 µm	<b>M25</b> Wire mesh 25 µm															
	<b>Element Δp</b>					<b>Execution</b>										
	N 20 bar					P01 MP Filtri standard Pxx Customized										

### FILTER ELEMENT

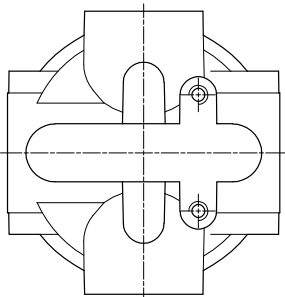
<b>Element series and size</b>	Configuration example: <b>HP039</b>   <b>3</b>   <b>A03</b>   <b>A</b>   <b>N</b>   <b>P01</b>												
<b>HP039</b>													
<b>Element length</b>	2   3   4												
<b>Filtration rating (filter media)</b>	<table border="0"> <tr> <td><b>A03</b> Inorganic microfiber 3 µm</td> <td><b>A16</b> Inorganic microfiber 16 µm</td> </tr> <tr> <td><b>A06</b> Inorganic microfiber 6 µm</td> <td><b>A25</b> Inorganic microfiber 25 µm</td> </tr> <tr> <td><b>A10</b> Inorganic microfiber 10 µm</td> <td><b>M25</b> Wire mesh 25 µm</td> </tr> </table>							<b>A03</b> Inorganic microfiber 3 µm	<b>A16</b> Inorganic microfiber 16 µm	<b>A06</b> Inorganic microfiber 6 µm	<b>A25</b> Inorganic microfiber 25 µm	<b>A10</b> Inorganic microfiber 10 µm	<b>M25</b> Wire mesh 25 µm
<b>A03</b> Inorganic microfiber 3 µm	<b>A16</b> Inorganic microfiber 16 µm												
<b>A06</b> Inorganic microfiber 6 µm	<b>A25</b> Inorganic microfiber 25 µm												
<b>A10</b> Inorganic microfiber 10 µm	<b>M25</b> Wire mesh 25 µm												
<b>Seals</b>	A NBR V FPM												
	<b>Element Δp</b>			<b>Execution</b>									
	N 20 bar			P01 MP Filtri standard Pxx Customized									

### ACCESSORIES

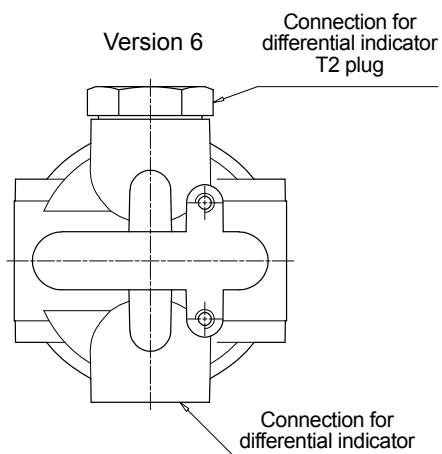
Differential indicators		page			page
<b>DEA</b>	Electrical differential indicator	567	<b>DLE</b>	Electrical / visual differential indicator	570
<b>DEH</b>	Hazardous area electronic differential indicator	567-568	<b>DTA</b>	Electronic differential indicator	571
<b>DEM</b>	Electrical differential indicator	568-569	<b>DVA</b>	Visual differential indicator	571
<b>DLA</b>	Electrical / visual differential indicator	569-570	<b>DVM</b>	Visual differential indicator	571
Additional features		page			
<b>T2</b>	Plug	572			



Version 1



Version 6



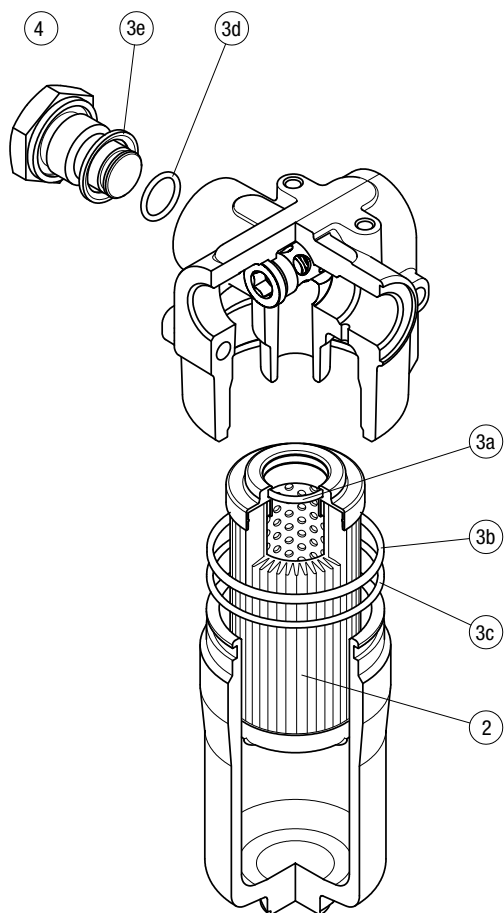
The position of the T2 plug is reversible

FMP039	
Filter length	H [mm]
2	151
3	194
4	238
Connections	R
A	M6
B - C	1/4" UNC

# FMP 039 SPARE PARTS

Order number for spare parts

FMP 039



Item:	Q.ty: 1 pc.	Q.ty: 1 pc.	
Filter series	Filter element	Seal Kit code number NBR	Seal Kit code number FPM
<b>FMP 039</b>	See order table	02050509	02050510