

Avviso

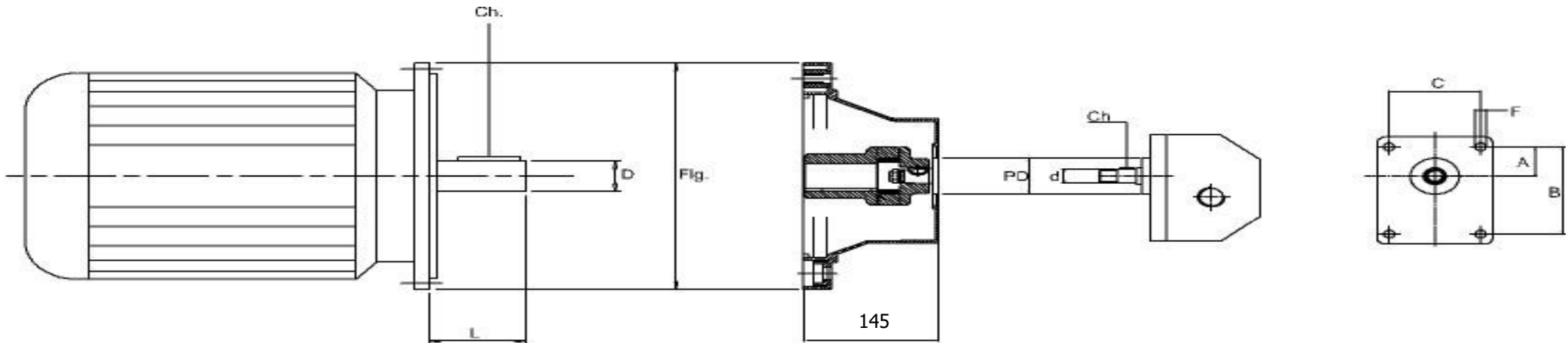
ELECTRIC MOTOR		4 P
kW	Hp	Size
5,5-7,50	7,5-10,2	132

COMPLETE COUPLING ARRANGEMENT

GEAR PUMP DATA									
Group	Cent.	A	B	C	Hole	CF	d	FSP	Ch
2	36,5	32,5	96	71,5	M8	FS200	17,2	FS200	3,2

Attention: Check overall dimensions of the pump. MP Filtri S.p.A. is not responsible for any change the pump manufacturer apply to the pump design.

Dimension			
L	d	Ch	Flg
80	38	10	300



Coupling Code
Arrangement Code

AKG11FS200M
 AKA11FS200M4E

Bellhousing Code

LMC300MFS2004E

Half Coupling Ordering Code

SGEA31M06077

EGE 3 GS

SGEA31FS200