

# SGEA - SGEG - SGES - EGE series

Aluminium - Cast Iron - Steel couplings



## Technical data

**Half-couplings materials**

SGEA: Pressure die cast aluminium  
SGEG: Cast Iron en-GJL-250 (gg25)  
SGES: Steel C40

**Spider materials**

EGE\*\* series: Oil-resistant NBR 85 Shore A - black colour  
EGE\*\*RR series: in polyurethane Laripur - 92 Shore A - LPR202-95A - red colour

**Compatibility with fluids**

- Mineral oils types HH-LL-HM-HR-HV-HC, to ISO 6743/4 standard
- Water based emulsions types HFAE-HFAS, to ISO 6743/4 standard
- Water glycol type HFC, to ISO 6743/4 standard: ask for anodized version

**Special Applications**

Any applications not covered by the normal indications contained in this catalogue must be evaluated and approved by MP Filtri Technical and Sales Department

**Temperature**

Spider oil-resistant rubber: from -20 °C to +90 °C  
Spider polyurethane resin: from -30 °C to +120 °C

**Note**

For temperatures outside this range, contact MP Filtri Technical and Sales Department



Range

IEC Electric Motors size	Aluminium	G25 UNI 5007 Cast Iron - C40 Carbon Steel				
	Shaft ISO 3019-2	Shaft ISO 3019-2	Shaft ANSI B92. 1A 1976	Shaft DIN 5480	Shaft DIN 5481	Shaft DIN 5482
IEC 80 Ø 200 - Ø 19x40	●	●	●	●	●	●
IEC 90 Ø 200 - Ø 24x50	●	●	●	●	●	●
IEC 100 Ø 250 - Ø 28x60	●	●	●	●	●	●
IEC 112 Ø 250 - Ø 28x60	●	●	●	●	●	●
IEC 132 Ø 300 - Ø 38x80	●	●	●	●	●	●
IEC 160 Ø 350 - Ø 42x110	●	●	●	●	●	●
IEC 180 Ø 350 - Ø 48x110	●	●	●	●	●	●
IEC 200 Ø 400 - Ø 55x110	●	●	●	●	●	●
IEC 225 Ø 450 - Ø 60x140		●	●	●	●	●
IEC 250 Ø 550 - Ø 65x140		●	●	●	●	●
IEC 280 Ø 550 - Ø 75x140		●	●	●	●	●
IEC 315 Ø 660 - Ø 80x170		●	●	●	●	●
IEC 355 Ø 800 - Ø 90x170		●	●	●	●	●

IEC Electric Motors size	European standard size						German standard size		
	0.5	1	2	3	3.5	4	ZB	ZF	ZG
IEC 63 Ø 140 - Ø 11x23	●	●	●				●		
IEC 71 Ø 160 - Ø 14x30	●	●	●				●		
IEC 80 Ø 200 - Ø 19x40	●	●	●	●			●	●	
IEC 90 Ø 200 - Ø 24x50	●	●	●	●			●	●	
IEC 110 Ø 250 - Ø 28x60		●	●	●	●		●	●	
IEC 112 Ø 250 - Ø 28x60		●	●	●	●		●	●	
IEC 132 Ø 300 - Ø 38x80		●	●	●	●	●		●	●
IEC 160 Ø 350 - Ø 42x110			●	●	●	●		●	●
IEC 180 Ø 350 - Ø 48x110			●	●	●	●		●	●
IEC 200 Ø 400 - Ø 55x110			●	●	●	●		●	●
IEC 225 Ø 450 - Ø 60x140				●	●	●			●

# SGEA-SGEG-SGES

## Designation & Ordering code

### PUMP HALF-COUPLING FOR PARALLEL SHAFT

**Pump half-coupling** Configuration example: **SGE** **A** **21** **G02** **050** **2E** **FG**  
**SGE**

**Series and material**  
**A** Aluminium  
**G** Cast Iron  
**S** Steel

Size	SGEA	SGEG	SGES
	01	01	01
	21	30	30
	31	40	40
	51	60	60
		80	80
		90	90

**Pump shaft code**  
**G02** See page 18

**Length**  
**050** See pages 26 ÷ 30

**Double key way (available combinations only)**  
**2E** See page 18 (parallel shaft - double key)

**Groub screw (necessary for SGEA series only)**  
**FG**

### PUMP HALF-COUPLING FOR SPLINED SHAFT

**Pump half-coupling** Configuration example: **SGE** **G** **40** **PD02** **050**  
**SGE**

**Series and material**  
**G** Cast Iron  
**S** Steel

Size	SGEG	SGES
	01	01
	30	30
	40	40
	60	60
	80	80
	90	90

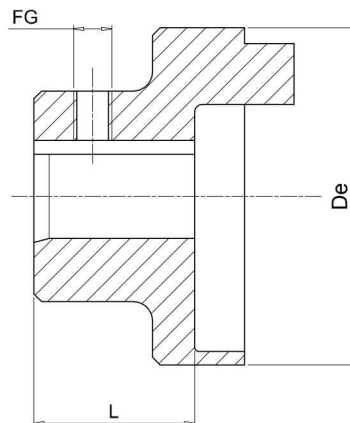
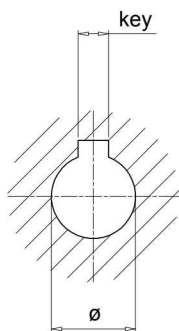
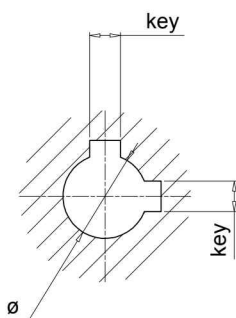
**Pump shaft code**  
**PD02** See pages 19

**Length**  
**050** See pages 28 ÷ 30

A. C. motor 50 Hz			Motor output n=3000 RPM 2 poles		Coupling size	Motor output n=1500 RPM 4 poles		Coupling size	Motor output n=1000 RPM 6 poles		Coupling size	Motor output n=750 RPM 8 poles		Coupling size
Size	Shaft end d x l [mm]		Output P [kW]	Torque T [Nm]		Output P [kW]	Torque T [Nm]		Output P [kW]	Torque T [Nm]		Output P [kW]	Torque T [Nm]	
	2-pole	4, 6, 8 pole												
<b>56</b>	9 x 20		0.09	0.32		0.06	0.43		0.037	0.43				
			0.12	0.41		0.09	0.64		0.045	0.52				
<b>63</b>	11 x 23		0.18	0.62	01	0.12	0.88	01	0.06	0.7	01			01
			0.25	0.86		0.18	1.3		0.09	1.1				
<b>71</b>	14 x 30		0.37	1.3		0.25	1.8		0.18	2		0.09	1.4	
			0.55	1.9		0.37	2.5		0.25	2.8		0.12	1.8	
<b>80</b>	19 x 40		0.75	2.5		0.55	3.7		0.37	3.9		0.18	2.5	
			1.1	3.7		0.75	5.1		0.55	5.8		0.25	3.5	
<b>90S</b>	24 x 50		1.5	5	21	1.1	7.5	21	0.75	8	21	0.37	5.3	21
<b>90L</b>			2.2	7.4		1.5	10		1.1	12		0.55	7.9	
<b>100L</b>	28 x 60		3	9.8		2.2	15		1.5	15		0.75	11	
			3	20		1.5	15		1.1	16				
<b>112M</b>			4	13		4	27		2.2	22		1.5	21	
<b>132S</b>	38 x 80		5.5	18	31	5.5	36	31	3	30	31	2.2	30	31
			7.5	25		7.5	49		4	40		3	40	
<b>132M</b>									5.5	55				
<b>160M</b>	42 x 110		11	36		11	72		7.5	75		4	54	
			15	49		7.5	75		5.5	74				
<b>160L</b>			18.5	60	40/51	15	98	40/51	11	109	40/51	7.5	100	40/51
<b>180M</b>	48 x 110		22	71		18.5	121							
<b>180L</b>			22	144		15	148		11	145				
<b>200L</b>	55 x 110		30	97		30	196		18.5	181		15	198	
			37	120		22	215							
<b>200S</b>	55 x 110	60 x 140			60	37	240	60			60	18.5	244	60
<b>225M</b>			45	145		45	292		30	293		22	290	
<b>250M</b>	60 x 140	65 x 140	55	177		55	356		37	361		30	392	
<b>280S</b>	75 x 140		75	241		75	484		45	438		37	483	
<b>280M</b>			90	289		90	581		55	535		45	587	
<b>315S</b>	65 x 140		110	353		110	707		75	727		55	712	
<b>315M</b>			132	423		132	849		90	873		75	971	
<b>315L</b>	80 x 170		160	513	80	160	1030	80	110	1070	80	90	1170	80
			200	641		200	1290		132	1280		110	1420	
<b>315</b>	85 x 170								160	1550		132	1710	
			250	802		250	1600		200	1930		160	2070	
<b>355</b>	75 x 140		315	1010		315	2020		250	2410		200	2580	
			355	1140		355	2280							
<b>355</b>	75 x 140	95 x 170	400	1280		400	2570		315	3040		250	3220	
			500	1600		500	3210		400	3850		315	4060	
<b>400</b>	80 x 170		560	1790	90	560	3580	90	450	4330	90	355	4570	90
			630	2020		630	4030		500	4810		400	5150	
			710	2270		710	4540		560	5390		450	5790	
			800	2560		800	5120		630	6060		500	6420	

## Dimensions

Double key version



**Notes:**

- Screw not included
- Double key version pump side only

### Motor half-coupling

IEC - Electric motors		Half-coupling code	De	Dimensions [mm]				FG	Weight [kg]
Motor size	Shaft end [d x l]			L	ø	key			
63	11x23	<b>SGEA01M01019FG</b>	44.0	21	11	4	M5	0.07	
71	14x30	<b>SGEA01M02028FG</b>	44.0	28	14	5	M5	0.08	
80	19x40	<b>SGEA01M03040FG</b>	44.0	40	19	6	M5	0.12	
		<b>SGEA21M03040FG</b>	70.0	40	19	6	M6	0.30	
90	24x50	<b>SGEA01M04048FG</b>	44.0	48	24	8	M5	0.13	
		<b>SGEA21M04048FG</b>	70.0	48	24	8	M6	0.28	
100 - 112	28x60	<b>SGEA21M05060FG</b>	70.0	60	28	8	M6	0.33	
		<b>SGEA31M05060FG</b>	85.0	60	28	8	M8	0.48	
		<b>SGEA21M06080FG</b>	70.0	80	38	10	M6	0.44	
132	38x80	<b>SGEA31M06077FG</b>	85.0	77	38	10	M8	0.78	
		<b>SGEA51M06077FG</b>	109.5	77	38	10	M8	1.60	
		<b>SGEA51M07109FG</b>	109.5	109	42	12	M8	1.60	
160	42x110	<b>SGEA51M07109FG</b>	109.5	109	42	12	M8	1.60	
180	48x110	<b>SGEA51M08109FG</b>	109.5	109	48	14	M8	1.60	
200	55x110	<b>SGEA51M09109FG</b>	109.5	109	55	16	M8	1.90	

### Pump half-couplings

Half-coupling code	Dimensions [mm]					Standard lengths [mm]										FG		
	ø min	ø max	De	L min	L max	17	23	30	40	44	48	-	-	-	-		-	-
<b>SGEA01 *** **</b>	11	19	44.0	17	50	17	23	30	40	44	48	-	-	-	-	-	-	M5
<b>SGEA21 *** **</b>	15	24	70.0	23	50	35	40	42	44	48	50	-	-	-	-	-	-	M6
<b>SGEA21 *** **</b>	25	28	70.0	40	60	40	42	44	48	50	55	58	60	-	-	-	-	M6
<b>SGEA31 *** **</b>	18	32	85.0	40	60	42	45	48	50	52	55	58	60	-	-	-	-	M8
<b>SGEA31 *** **</b>	38	42	85.0	60	80	60	65	70	77	80	-	-	-	-	-	-	-	M8
<b>SGEA51 *** **</b>	18	40	109.5	40	70	42	45	48	50	52	55	58	60	65	70	-	-	M8
<b>SGEA51 *** **</b>	38	55	109.5	70	109	70	75	80	85	90	95	100	105	109	-	-	-	M8

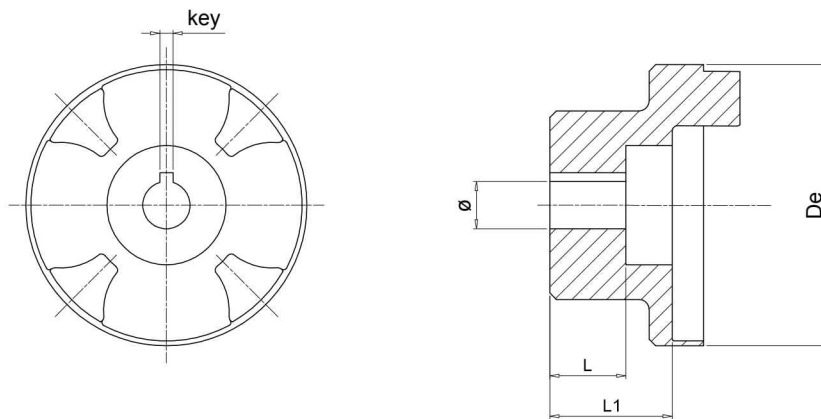
Complete the half-coupling code with the shaft's code and length

Example: **SGEA51D02040FG**

**D02** - see page 18

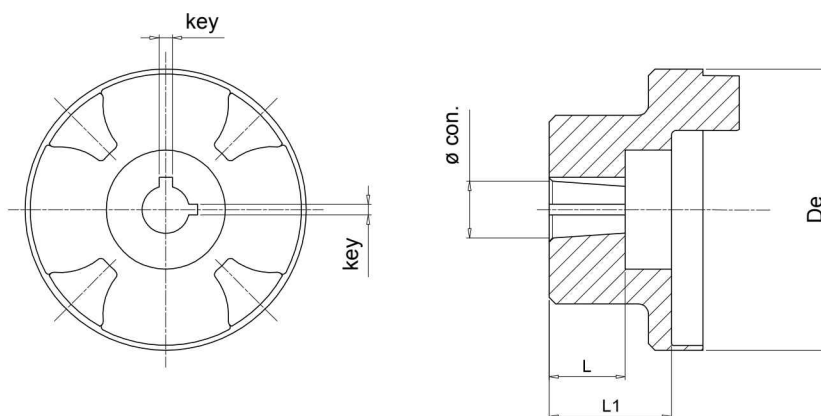
**040** - table "pump half-coupling - standard lengths"





### Half-coupling for gear pumps - parallel

Half-coupling code	Dimensions [mm]					Weight [kg]
	De	L	L1	ø	key	
<b>SGEA01FS05M</b>	44	10.0	17.0	6	2	0.07
<b>SGEA01FS05C</b>	44	10.0	17.0	7	2	0.08
<b>SGEA01FS1C0</b>	44	-	17.0	12	3	0.13
<b>SGEA21FS1C0</b>	70	14.5	21.5	12	3	0.48
<b>SGEA31FS1C0</b>	85	14.5	37.0	12	3	1.90



### Half-coupling for gear pumps - tapered

Half-coupling code	Dimensions [mm]					Weight [kg]	Conical
	De	L	L1	ø	key		
<b>SGEA01FS100</b>	44.0	14.5	16.0	9.7	2.4	0.12	1:8
<b>SGEA01FS1M0</b>	44.0	16.0	16.0	13.9	3	0.30	1:8
<b>SGEA01FSZBR</b>	44.0	11.5	14.5	9.8	2	0.28	1:5
<b>SGEA21FS100</b>	70.0	14.5	21.5	9.7	2.4	0.33	1:8
<b>SGEA21FS1M0</b>	70.0	18.5	21.5	13.9	3	0.78	1:8
<b>SGEA21FS200</b>	70.0	21.5	21.5	17.2	3.2 - 4	1.60	1:8
<b>SGEA21FSZFR</b>	70.0	20.0	21.5	16.9	3	1.60	1:5
<b>SGEA21FS300</b>	70.0	27.0	41.0	21.6	4	1.60	1:8
<b>SGEA31FS100</b>	85.0	14.5	37.0	9.7	2.4	1.90	1:8
<b>SGEA31FS1M0</b>	85.0	17.5	36.0	13.9	3	0.33	1:8
<b>SGEA31FS200</b>	85.0	23.0	37.0	17.2	3.2 - 4	0.48	1:8
<b>SGEA31FS300</b>	85.0	27.0	37.0	21.6	4	0.78	1:8
<b>SGEA31FS350</b>	85.0	35.0	37.0	25.6	4.76 - 5	1.60	1:8
<b>SGEA31FSZFR</b>	85.0	17.0	37.0	16.9	3	1.60	1:5
<b>SGEA31FSZGR</b>	85.0	27.0	34.0	25.2	5	1.60	1:5
<b>SGEA51FS200</b>	109.5	23.5	32.0	17.2	3.2 - 4	1.90	1:8
<b>SGEA51FS300</b>	109.5	25.0	32.0	21.6	4	1.90	1:8
<b>SGEA51FS350</b>	109.5	32.0	32.0	25.6	4.76 - 5	1.60	1:8
<b>SGEA51FSZFR</b>	109.5	19.5	32.0	16.9	3	1.90	1:5
<b>SGEA51FSZGR</b>	109.5	25.0	32.0	24.6	5	1.90	1:5