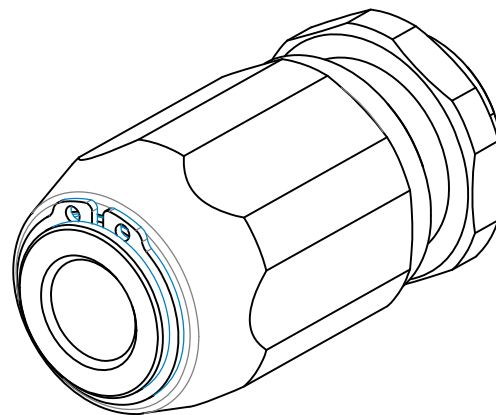
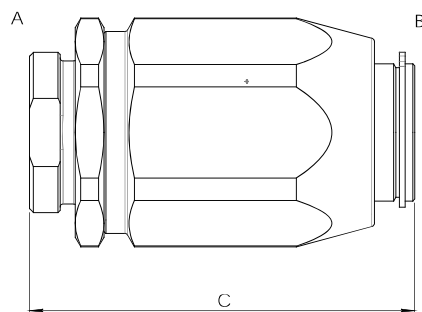
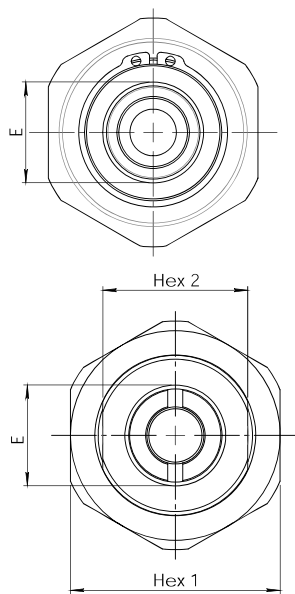
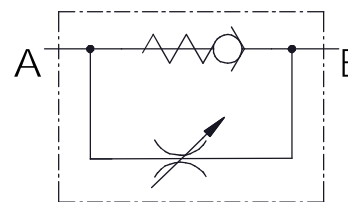


Dimensions

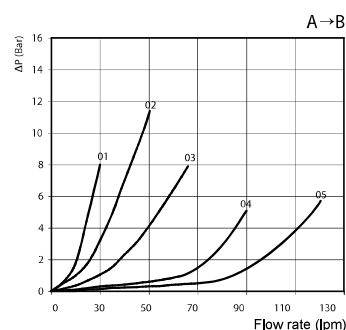
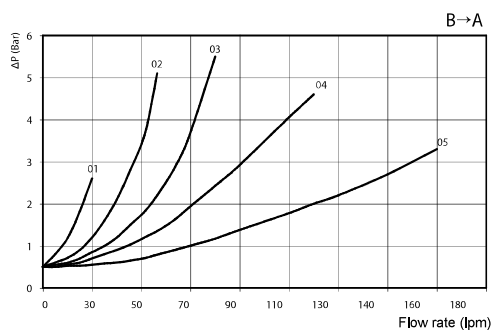


Size	C	E BSP	Hex 1	Hex 2	Weight kg	Max Pressure bar	Max Flow Rate A→B lpm	Max Flow Rate B→A lpm	Cracking Pressure bar
01	65	1/4	32	22	0,29	350	30	30	0,5
02	75	3/8	38	27	0,48	350	40	50	0,5
03	80	1/2	41	30	0,59	350	50	80	0,5
04	101	3/4	55	38	1,34	300	80	110	0,5
05	115	1	65	46	2,35	250	110	160	0,5

Hydraulic Symbol



Curves



Materials: Zinc plated steel body, hardened steel poppet.

Ordering Code

FRUB

--

Size BSP

01	1/4
02	3/8
03	1/2
04	3/4
05	1

Ordering Code Example: FRUB03 = 1/2 BSP.