

Description

Machine

Author

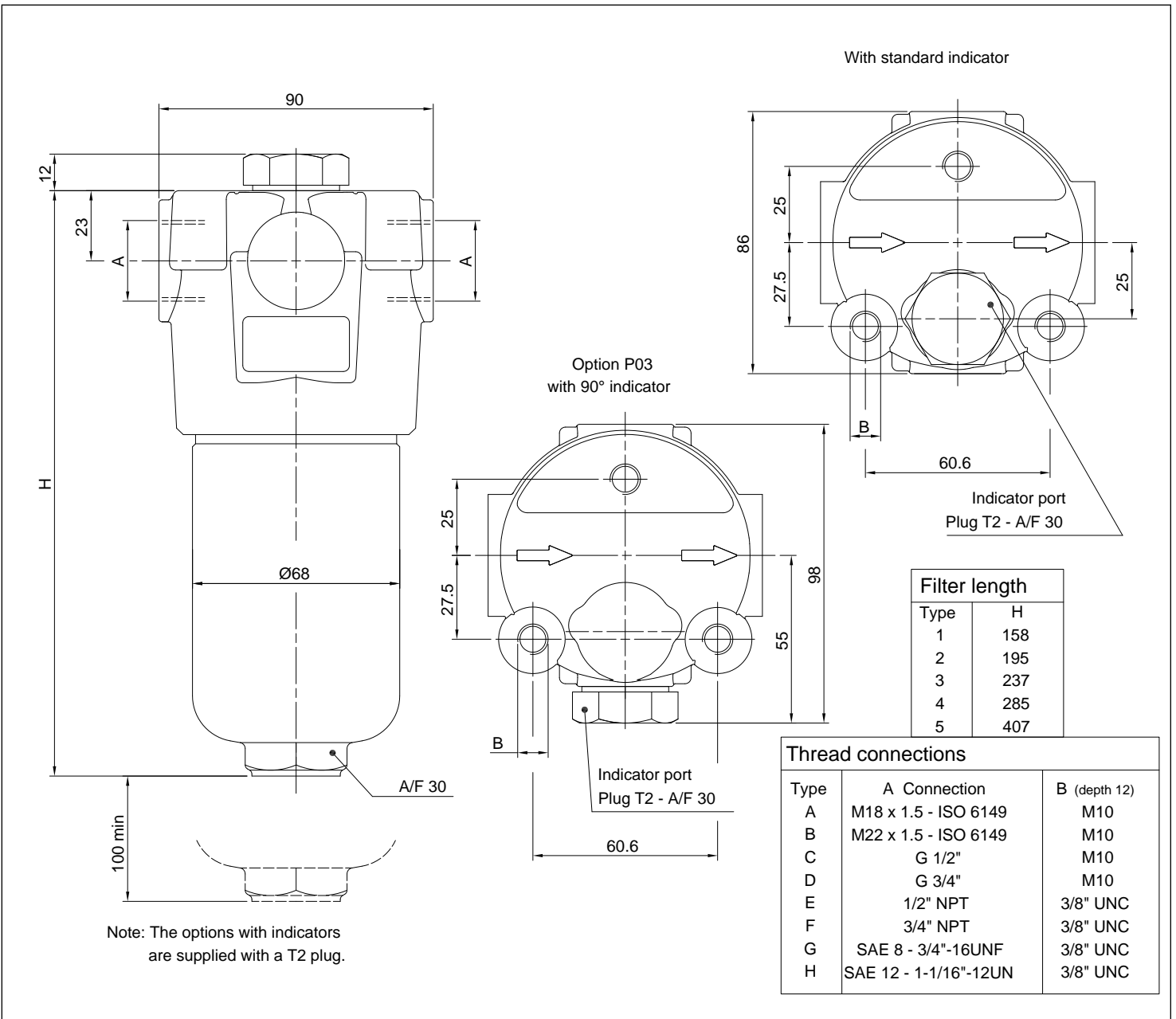
Project

|             |                           |       |                        |                     |
|-------------|---------------------------|-------|------------------------|---------------------|
| Pressure    | 420                       | bar   | Fluid                  | HLP                 |
| Flow rate   | 90                        | l/min | Fluid type             | ISO VG 46 (SUS 216) |
| D P max     | 1,5                       | bar   | Viscosity              | 31 cst              |
| Temperature | 50                        | °C    |                        |                     |
| Filtration  | A25 25 µm absolute inorga |       | Max operating pressure | 420 bar - 6090 psi  |

### PRESSURE FILTER

|             |      |        |        |       |            |            |         |
|-------------|------|--------|--------|-------|------------|------------|---------|
| Filter type | Size | Length | Bypass | Seals | Connection | Filtration | Element |
| FMM         | 050  | 2      | B      | A     | C          | A25        | N       |
| Indicator   |      |        |        |       |            |            |         |

|                    |      |     |                          |                 |
|--------------------|------|-----|--------------------------|-----------------|
| DP Housing         | 0.90 | bar | Element type             | 8HP0502A25ANP01 |
| DP Element         | 0.46 | bar | Connections              | G1/2"           |
| DP complete filter | 1.36 | bar | No. Elem. in the housing | 1               |



With standard indicator

Option P03 with 90° indicator

Indicator port Plug T2 - A/F 30

Indicator port Plug T2 - A/F 30

| Type | H   |
|------|-----|
| 1    | 158 |
| 2    | 195 |
| 3    | 237 |
| 4    | 285 |
| 5    | 407 |

| Type | A Connection          | B (depth 12) |
|------|-----------------------|--------------|
| A    | M18 x 1.5 - ISO 6149  | M10          |
| B    | M22 x 1.5 - ISO 6149  | M10          |
| C    | G 1/2"                | M10          |
| D    | G 3/4"                | M10          |
| E    | 1/2" NPT              | 3/8" UNC     |
| F    | 3/4" NPT              | 3/8" UNC     |
| G    | SAE 8 - 3/4"-16UNF    | 3/8" UNC     |
| H    | SAE 12 - 1-1/16"-12UN | 3/8" UNC     |

Note: The options with indicators are supplied with a T2 plug.

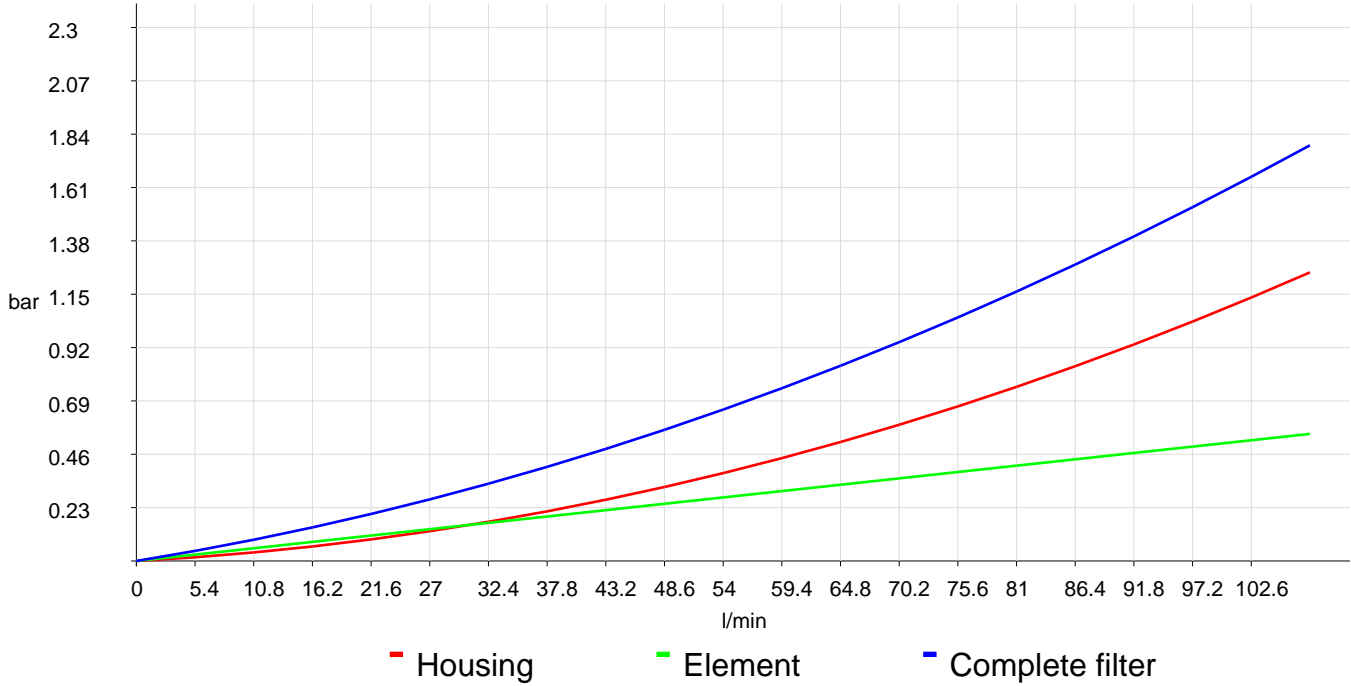
**Description**

**Machine**

**Author**

**Project**

Delta P/Q (Viscosity: 31 cst)



Delta P/T (Flow rate: 90 l/min)

